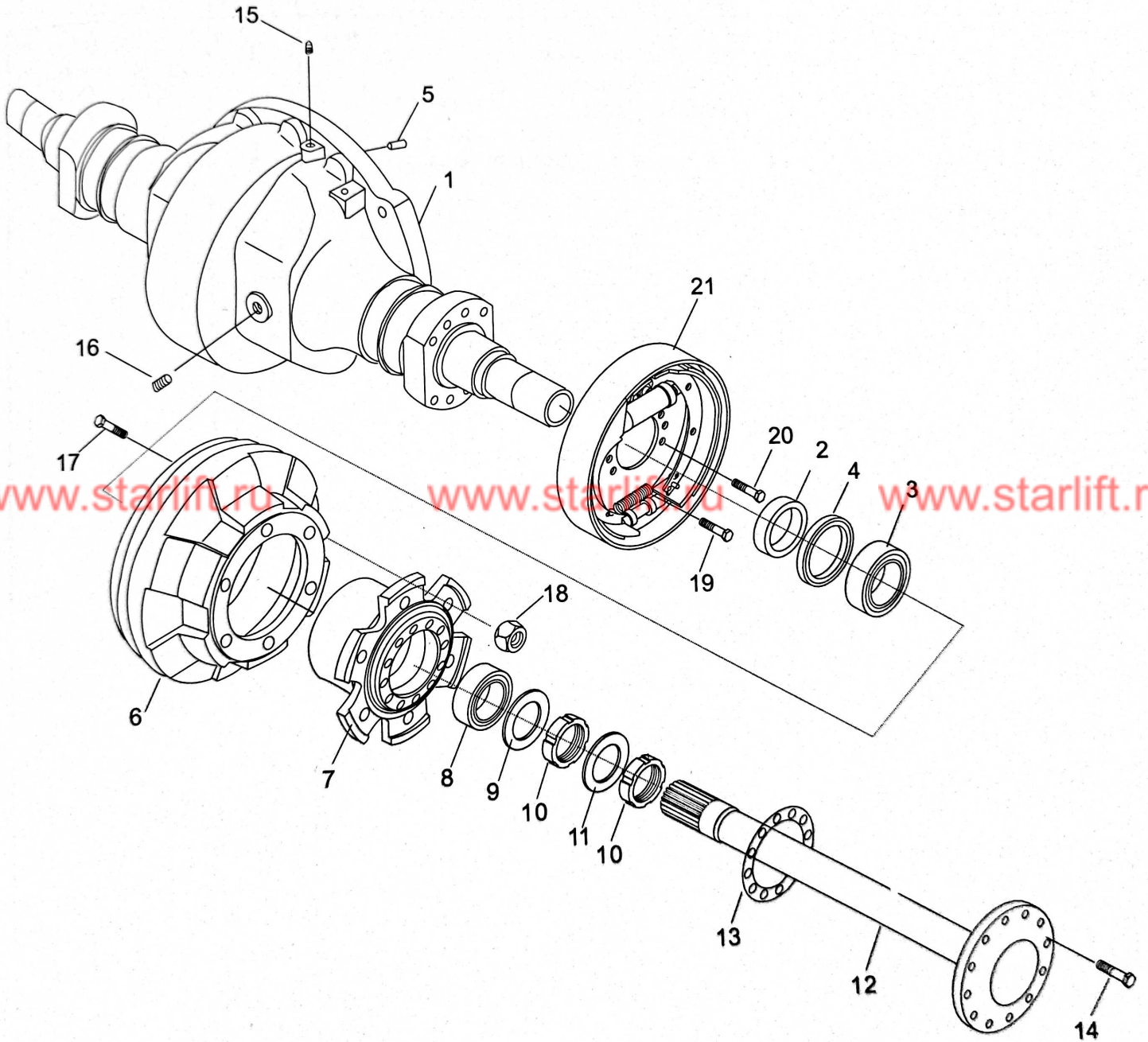


驱动桥
Drive axle

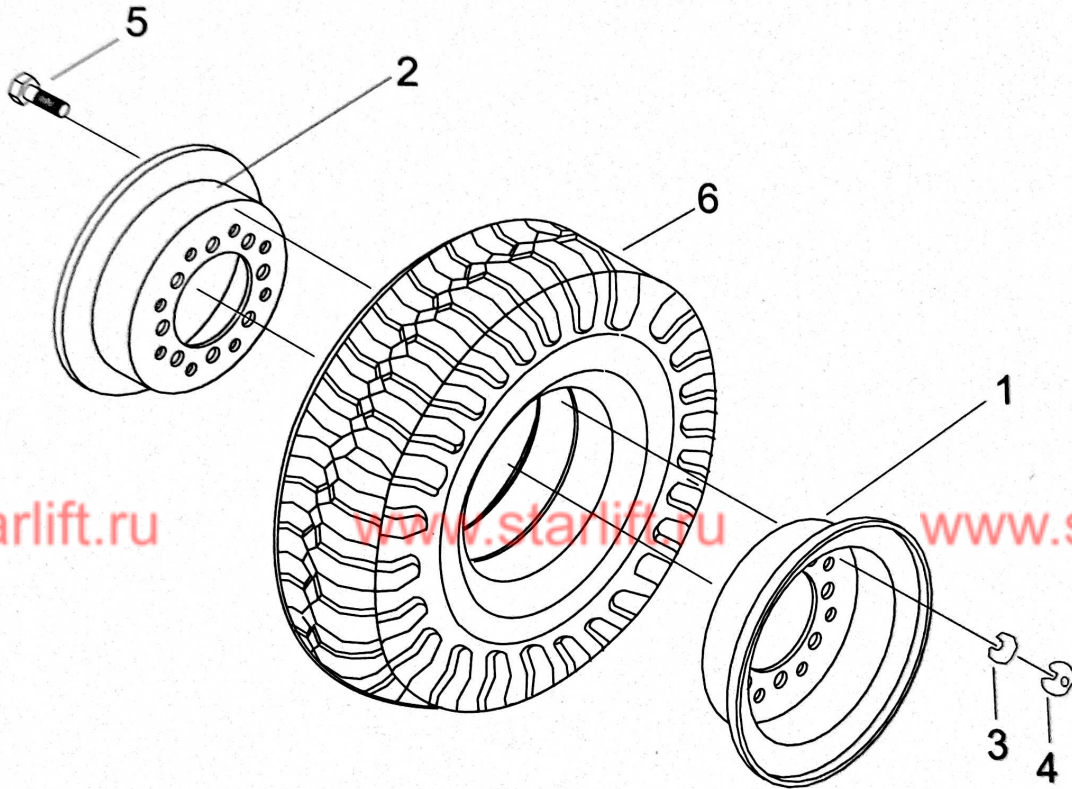


驱动桥
Drive axle

| 序号 Item | 零件号 Part No | 零部件名称 Description | 数量 Q'ty | 备注 Remark |
|------------|----------------|----------------------------------|------------|--------------|
| 1 | A15A5-00101 | 桥壳 Housing, axle | 1 | |
| 2 | A15A5-00102 | 挡环 Snap,ring | 2 | |
| 3 | HG4-692-67 | 油封 Sd125×100×24.75 Seal, oil | 2 | |
| 4 | A15A5-00103 | 轴承7213E Bearing | 2 | |
| 5 | GB119-76 | 销 D8×25 Pin | 1 | |
| 6 | A15A5-00104 | 制动毂 Drum, brake | 2 | |
| 7 | A15A5-00105 | 轮毂 Hub, front | 2 | |
| 8 | A15A5-00106 | 轴承油封总成 Seal, oil ass'y | 2 | |
| 9 | A15A5-00107 | 挡圈 Snap,ring | 2 | |
| 10 | GB840-88 | 螺母M60×2 Nut | 4 | |
| 11 | GB858-76 | 垫圈60 Washer | 2 | |
| 12 | A15A5-00108 | 半轴 Shaft, drive | 2 | |
| 13 | A15A5-00109 | 半轴垫 Packing | 2 | |
| 14 | A15A5-00110 | 螺栓M12×1.25 Bolt | 16 | |
| 15 | A15A5-00111 | 橡皮塞 Flug,rubber | 1 | |
| 16 | A15A5-00112 | 堵塞 Flug | 2 | |
| 17 | A15A5-00113 | 螺栓 Bolt | 12 | |
| 18 | A15A5-00114 | 螺母 Nut | 12 | |
| 19 | A15A5-00115 | 螺栓 Bolt | 4 | |
| 20 | A15A5-00116 | 螺栓 Bolt | 8 | |
| 21 | A15A5-00400 | 制动器总成(左) Drum,brake ass'y(left) | 1 | |
| | A15A5-00500 | 制动器总成(右) Drum,brake ass'y(right) | 1 | |

GOODSENSE

驱动轮总成
Driving wheel assembly



驱动轮总成
Driving wheel assembly

| 序号 Item | 零件号 Part No | 零部件名称 Description | 数量 Q'ty | 备注 Remark |
|------------|----------------|----------------------|------------|--------------|
| 1 | A15A5-00301 | 外轮辋 Rim,outside | 2 | |
| 2 | A15A5-00302 | 内轮辋 Rim,inside | 2 | |
| 3 | GB93-76 | 垫圈12 Washer | 12 | |
| 4 | GB6170-86 | 螺母M12 Nut | 12 | |
| 5 | A30A6-10005 | 轮辋螺栓 Bolt | 12 | |
| 6 | GB2982-82 | 轮胎6.50-10-10PR Tyre | 2 | |