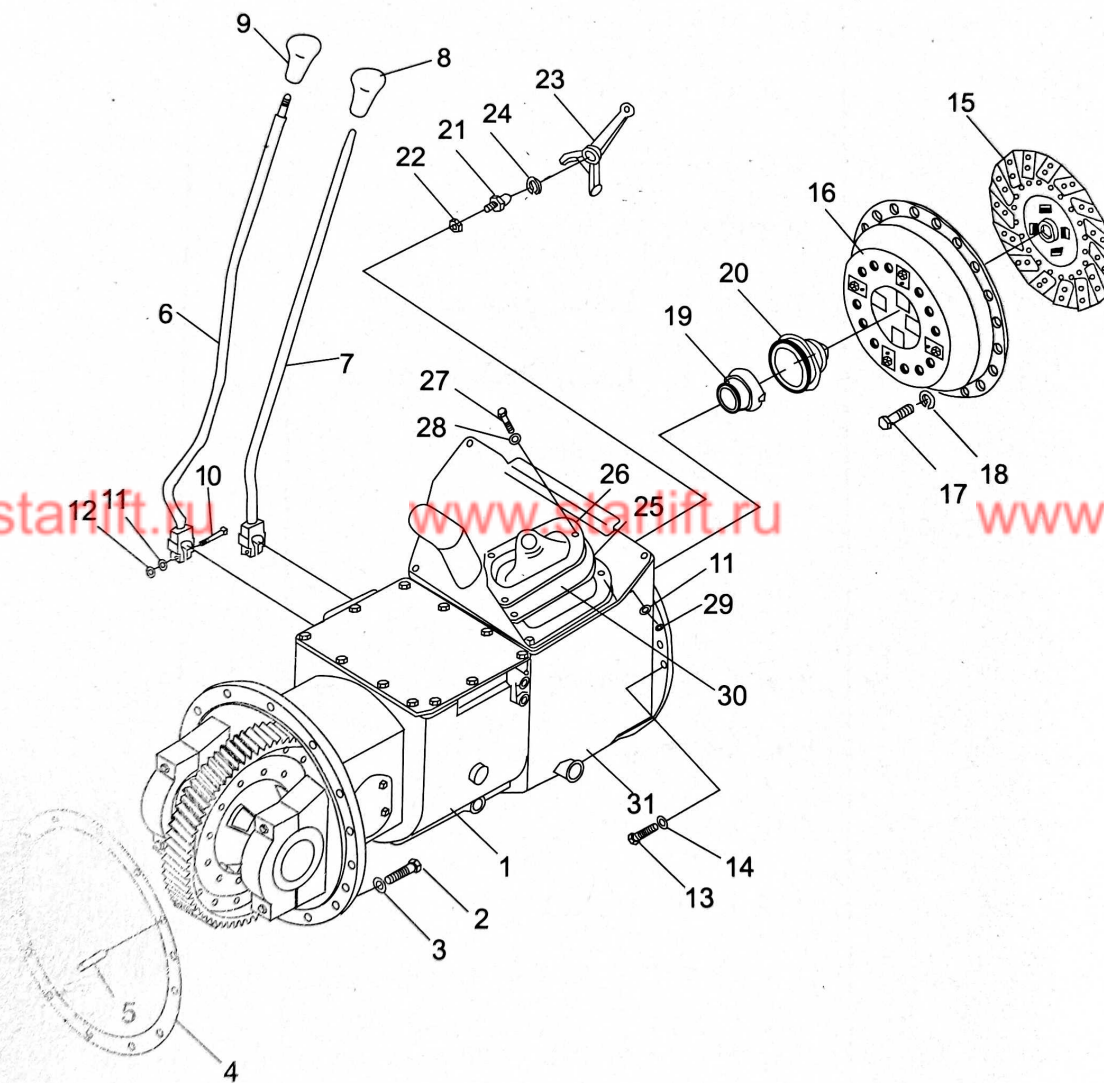


传动装置安装 (机械式)
Drive unit mount (clutch type)

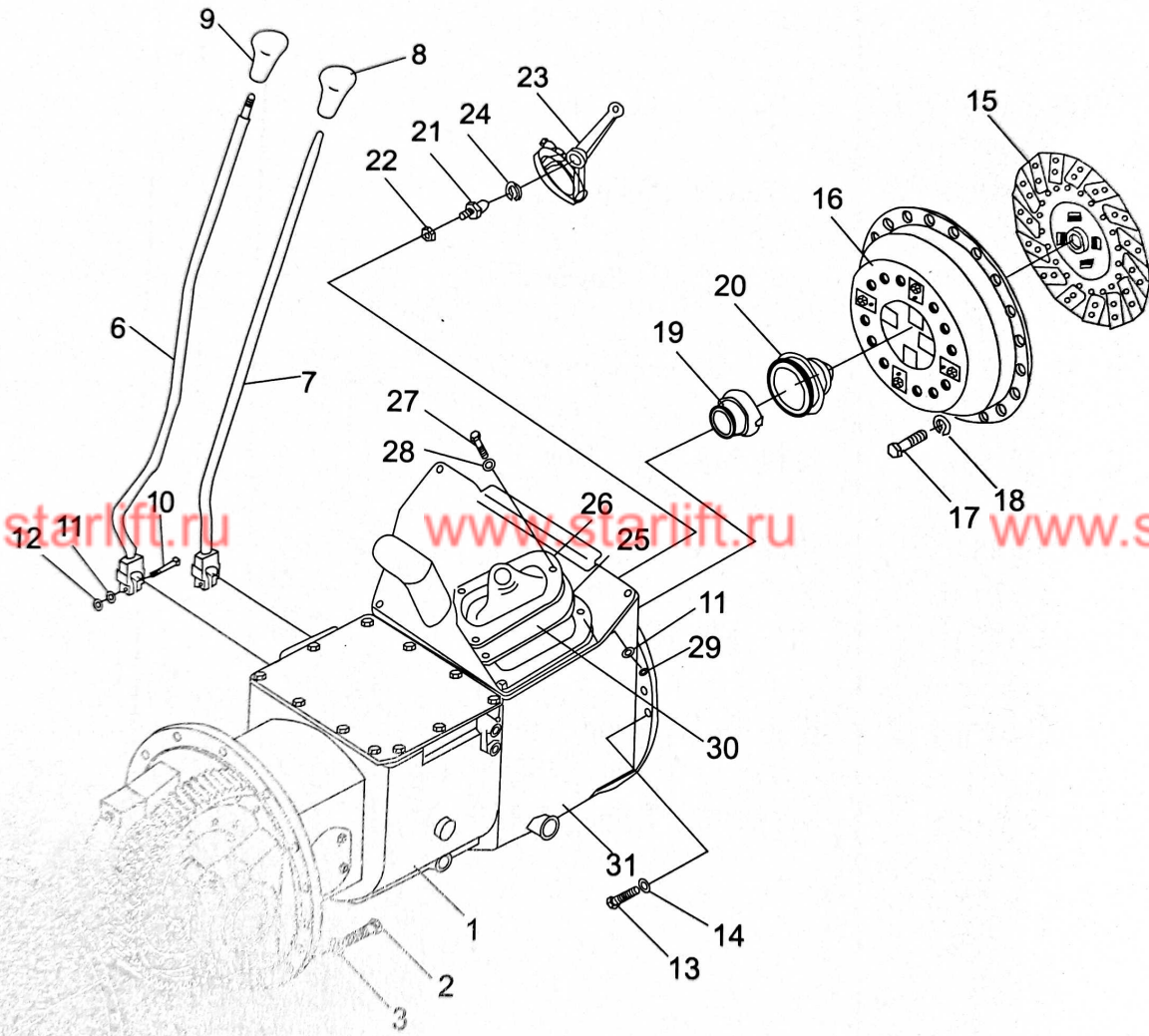


传动装置安装 (机械式)

Drive unit mount (clutch type)

序号 Item	零件号 Part No	零部件名称 Description	数量 Q'ty	备注 Remark
1	A15C5-02200	机械变速箱总成 Drive unit	1	
2	GB5785-86	螺栓 M12×1.25×40 Bolt	12	
3	GB93-87	垫圈 12 Washer, lock	24	
4	A30A5-02001	密封垫 Packing	1	
5	GB119-86	销 B10×20 Pin, parallel	1	
6	A30A5-02300	变速操纵杆 Lever, speed change	1	
7	A30A5-02400	换向操纵杆 Lever, direction change	1	
8	A30A5-02600	换向手柄 Knob, direction	1	
9	A30A5-02500	变速手柄 Knob, speed	1	
10	GB5782-86	螺栓 M8×40 Bolt	2	
11	GB93-87	垫圈 8 Washer, lock	4	
12	GB6170-86	螺母 M8 Nut	2	
13	GB5782-86	螺栓 M10×40 Bolt	9	
14	GB93-87	垫圈 10 Washer, lock	9	
15	A15C5-04000	离合器摩擦片总成 Clutch disc Ass'y	1	
16	A15C5-03000	离合器盖总成 Clutch cover	1	
17	GB5783-2000	螺栓 M8×20 Bolt	6	
18	GB93-87	垫圈 8 Washer, lock	6	
19	A15C5-00002	分离轴承套筒 Retainer, bearing	1	
20	9688211	分离轴承 Bearing, thrust	1	

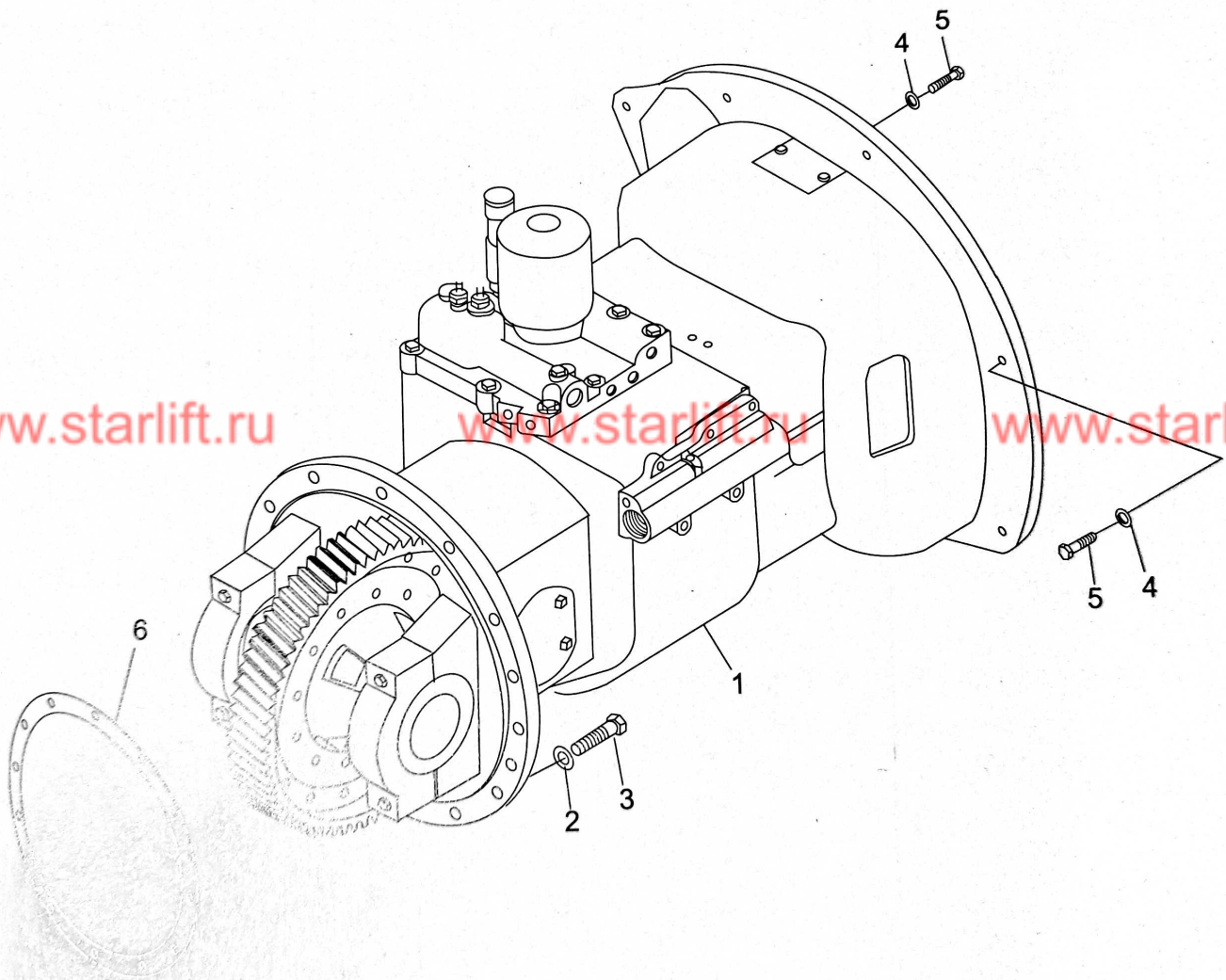
传动装置安装 (机械式)
Drive unit mount (clutch type)



传动装置安装 (机械式)
Drive unit mount (clutch type)

序号 Item	零件号 Part No	零部件名称 Description	数量 Q'ty	备注 Remark
21	A15C5-00003	支撑螺栓 Pivot, clutch yoke	1	
22	GB6171-86	螺母 M12×1.25 Nut	1	
23	A15C5-00004	分离叉 Yoke, clutch	1	
24	A15C5-00005	弹性挡圈 Snap ring	1	
25	A15C5-02007	分离叉护罩 Cover dust	1	
26	A15C5-02008	压板 Retainer, cover	1	
27	GB5782-86	螺栓 M8×16 Bolt	2	
28	GB97.1-85	垫圈 8 Washer	2	
29	GB41-86	螺母 M8 Nut	2	
30	A15C5-02009	密封垫 Packing	1	
31	A15C5-02002	离合器壳 Clutch housing	1	

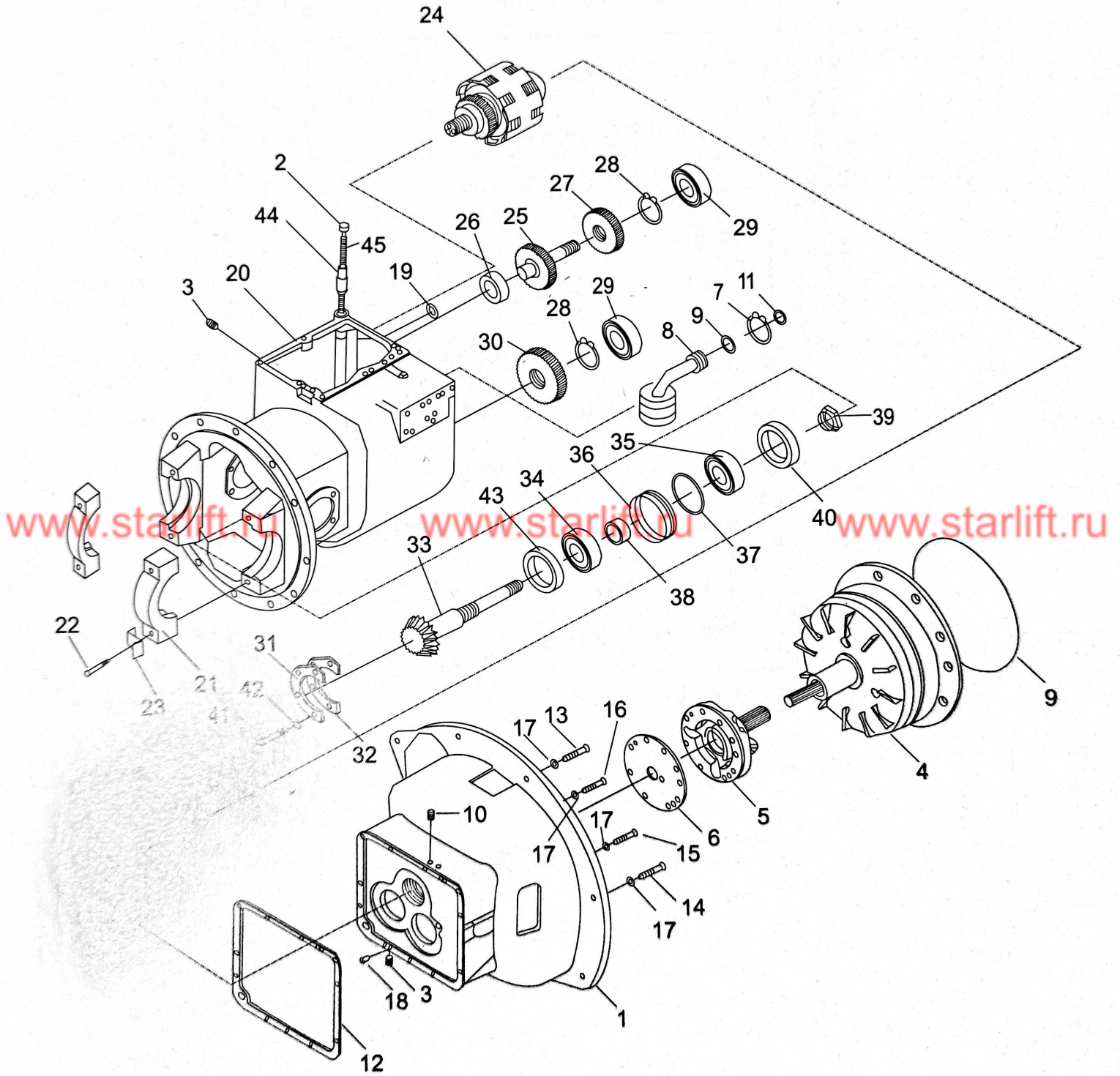
传动装置安装 (液力式)
Drive unit mount (tor-con type)



传动装置安装 (液力式)
Drive unit mount (tor-con type)

序号 Item	零件号 Part No	零部件名称 Description	数量 Q'ty	备注 Remark
1	A15D5-02000	电子换向液力变速箱总成 Drive unit	1	FD/Q/Y10~18B-X7
	A15D5-03000	手动换向液力变速箱总成 Drive unit	1	FD/Q/Y10~18B-X7
	A15E5-02000	电子换向液力变速箱总成 Drive unit	1	FD/Q/Y10~18B-W1
	A15E5-03000	手动换向液力变速箱总成 Drive unit	1	FD/Q/Y10~18B-W1
	A15F5-02000	电子换向液力变速箱总成 Drive unit	1	FD/Q/Y10~18B-R1
	A15F5-03000	手动换向液力变速箱总成 Drive unit	1	FD/Q/Y10~18B-R1
2	GB93-87	垫圈 12 Washer, lock	12	
3	GB5785-86	螺栓 M12×1.25×40 Bolt	12	
4	GB93-87	垫圈 10 Washer	9	
5	GB5783-2000	螺栓 M10×35 Bolt	9	
6	A30A5-02001	密封垫 Packing	1	

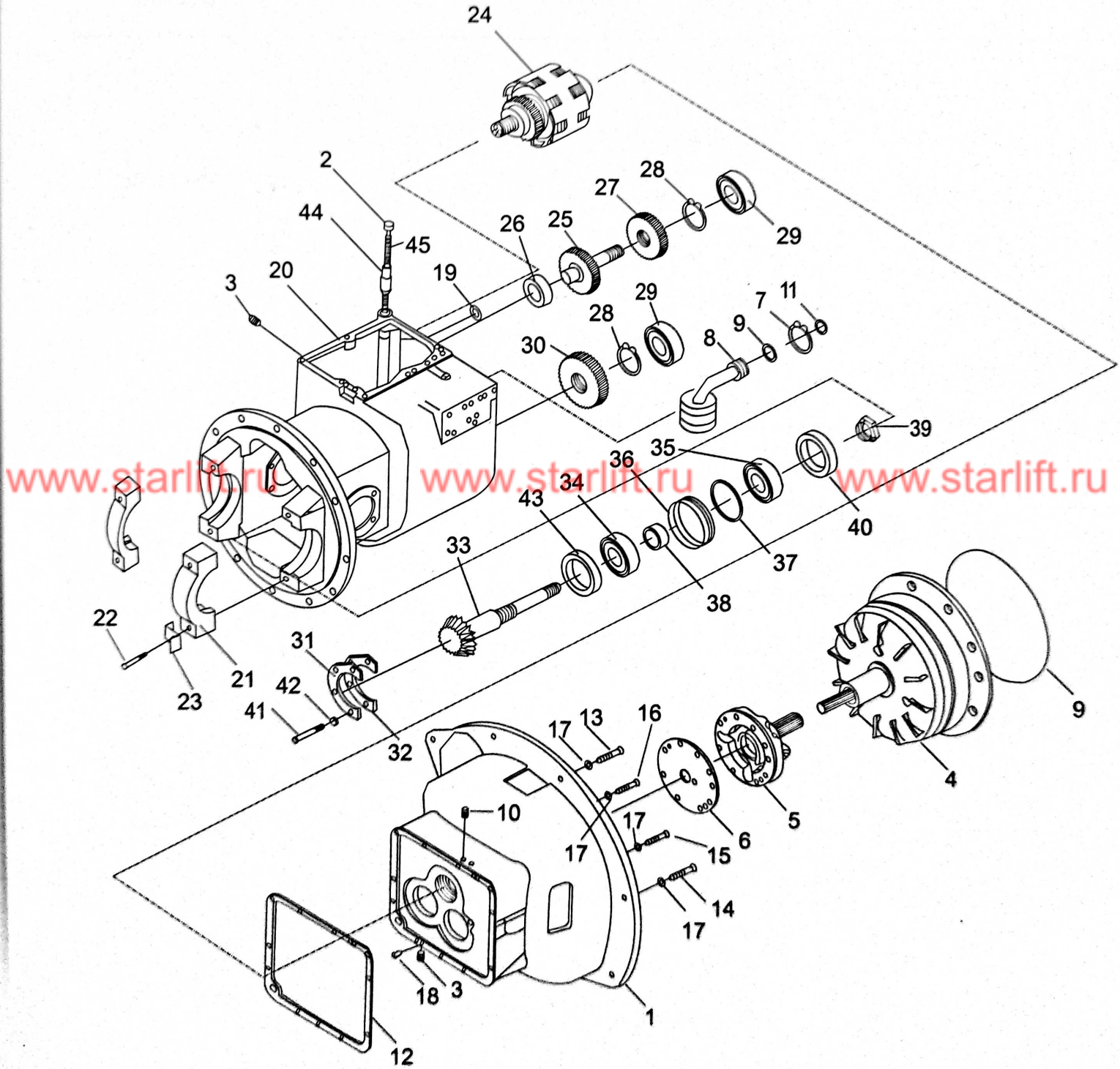
传动装置 (液力式) Drive unit (tor-con type)



传动装置 (液力式)
Drive unit (tor-con type)

序号 Item	零件号 Part No	零部件名称 Description	数量 Q'ty	备注 Remark
1	A15D5-02001	变速箱壳体 Case, tor-con	1	FD/Q/Y10~18B-X7
	A15E5-02001	变速箱壳体 Case, tor-con	1	FD/Q/Y10~18B-W1
	A15F5-02001	变速箱壳体 Case, tor-con	1	FD/Q/Y10~18B-R1
2	A15D5-02002	加油口盖 Cap	1	
3	Q/Z285-4	垫圈1/2" Plug	4	
4	A15D5-02100	变矩器总成 Tor-xon ass'y	1	FD/Q/Y10~18B-X7
	A15E5-02100	变矩器总成 Tor-xon ass'y	1	FD/Q/Y10~18B-W1
	A15F5-02100	变矩器总成 Tor-xon ass'y	1	FD/Q/Y10~18B-R1
5	A15D5-02200	供油泵总成 Charging pump ass'y	1	
6	A15D5-02003	衬套 Gasket	1	
7	GB894-86	挡圈 35 Snap ring	1	
8	A15D5-02004	滤油器 Strainer	1	
9	GB1235-76	O形圈35×3.1 O-ring	1	
10	Q/Z285-2	内六角螺塞 Plug	2	
11	GB1235-76	O形圈28×3.5 O-ring	1	
12	A15D5-02005	垫片 Gasket	1	
13	GB5785-86	螺栓M10×1.25×75 Bolt	1	
14	GB5785-86	螺栓M10×1.25×55 Bolt	3	
15	GB5785-86	螺栓M10×1.25×50 Bolt	1	
16	GB5785-86	螺栓M10×1.25×30 Bolt	4	
17	GB93-87	垫圈10 Washer, lock	9	
18	GB119-76	销 B12×20 Pin	2	

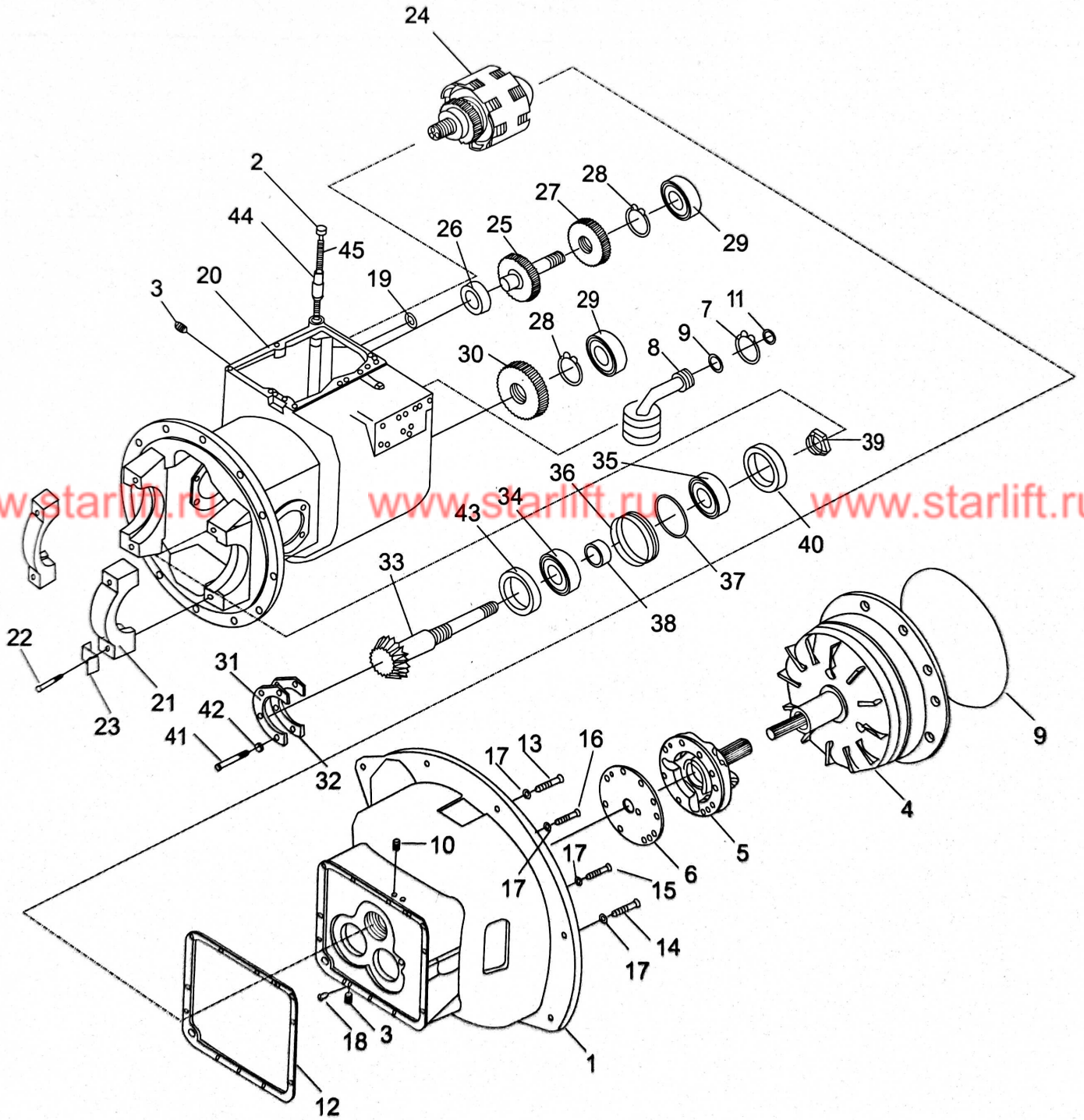
传动装置 (液力式)
Drive unit (tor-con type)



传动装置 (液力式)
Drive unit (tor-con type)

序号 Item	零件号 Part No	零部件名称 Description	数量 Q'ty	备注 Remark
19	GB235-76	O形圈15×2.4 O-ring	1	
20	A15D5-02006	壳体 Case, mission	1	
21	A15D5-02007	轴承座 Cap, bearing	2	
22	A15D5-02008	螺栓 Bolt	4	
23	A15D5-02009	垫片 Plate,lock	4	
24	A15D5-02300	离合器总成 Clutch, hydraulic	1	
25	A15D5-02010	惰轮轴 Shaft, idler	1	
26	GB276-64	轴承206 Bearing	1	
27	A15D5-02011	惰轮 Gear, idler	1	
28	GB893-86	挡圈24 Snap ring	2	
29	GB276-64	轴承207 Bearing	2	
30	A15D5-02012	输出齿轮 Gear, output	1	
31	A15D5-02013	支承片 Plate, bearing support	1	
32	A15D5-02014	垫片 Shim	按需	
-	A15D5-02015	垫片 Shim	按需	
-	A15D5-02016	垫片 Shim	按需	
33	A15D5-02017	输出轴 Shaft, output	1	
34	Z-7508	轴承7508 Bearing	2	
35	Z-7208	轴承7208 Bearing	1	
36	A15D5-02018	油封保持架10 Retainer, oil seal	1	
37	GB1235-76	O形圈80×3.1 O-ring	1	

传动装置 (液力式)
Drive unit (tor-con type)



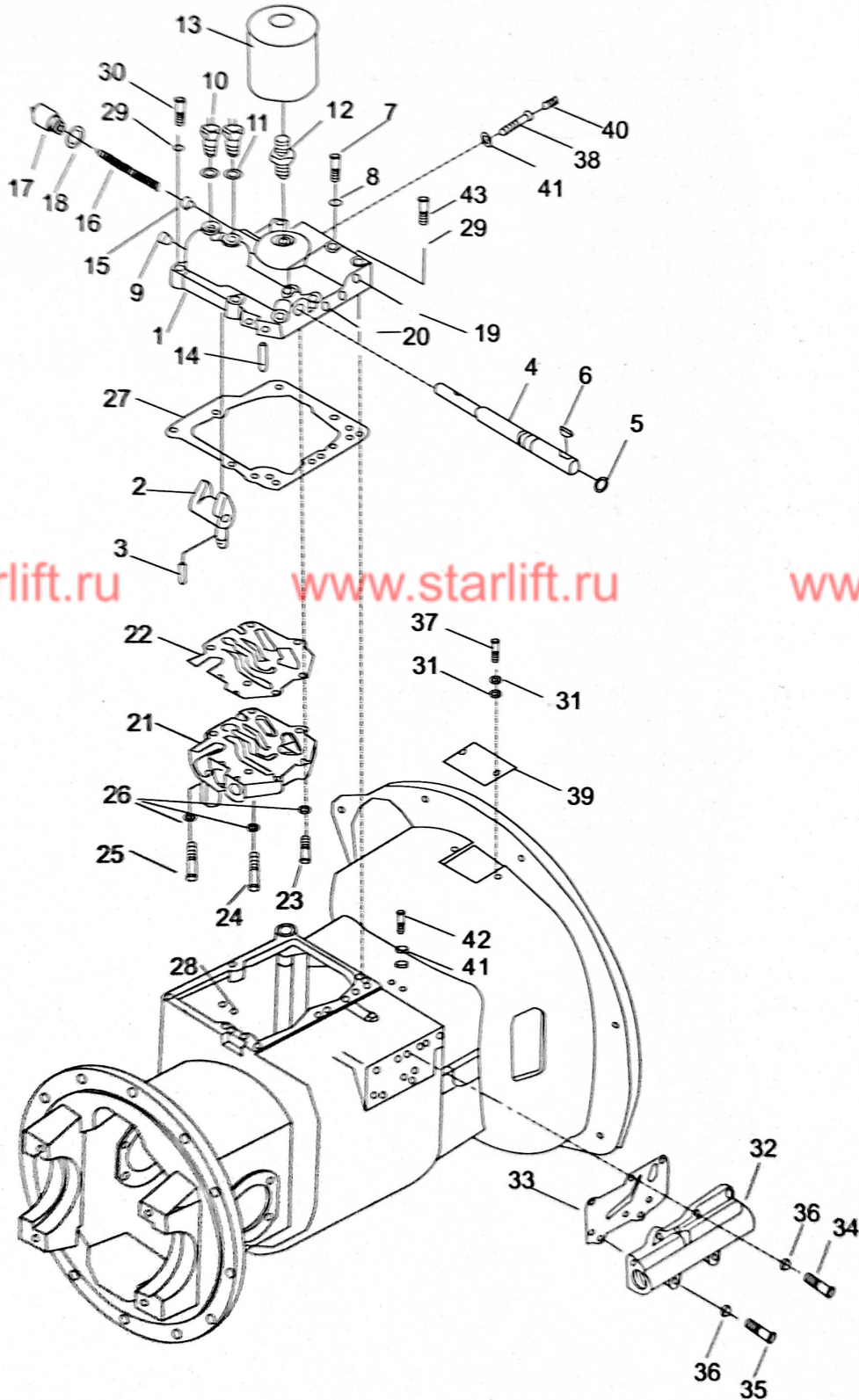
GOODSENSE

传动装置 (液力式)
Drive unit (tor-con type)

序号 Item	零件号 Part No	零部件名称 Description	数量 Q'ty	备注 Remark
38	A15D5-02019	油封 Seal, oil	1	
39	A15D5-02020	螺母 Nut	1	
40	A15D5-02021	垫 Shim	1	选用
-	A15D5-02022	垫 Shim	1	选用
-	A15D5-02023	垫 Shim	1	选用
41	GB5782-86	螺栓M8×20 Bolt	4	
42	GB93-87	垫圈8 Washer	15	
43	A15D5-02024	轴环 Collar	1	
44	A15D5-02025	加油管 Pipe, oil fill	1	
45	A15D5-02026	衬垫 Gasket	1	

GOODSENSE

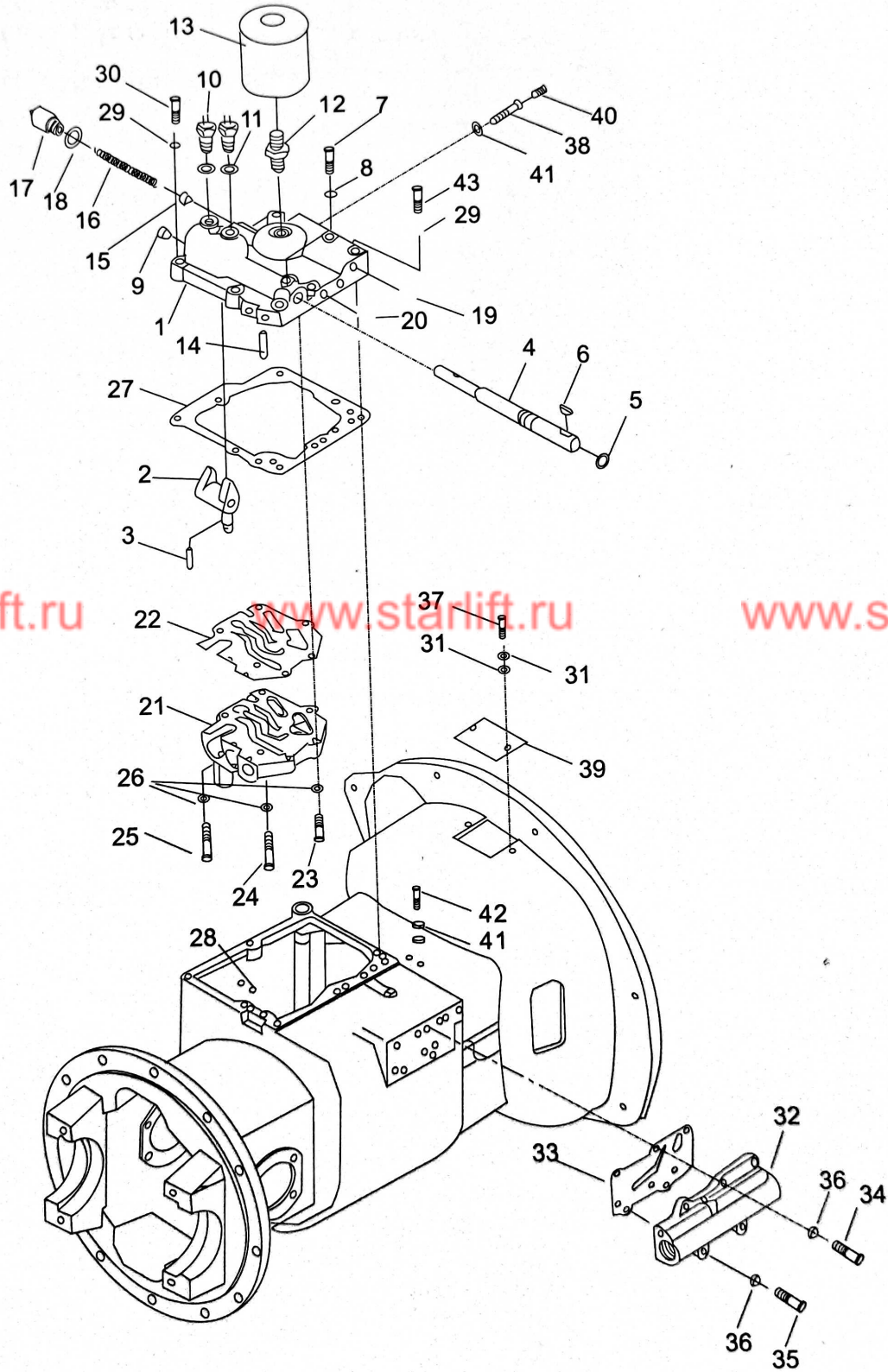
传动装置 (盖和微动阀)
Drive unit (cover & inching valve)



传动装置 (盖和微动阀)
Drive unit (cover & inching valve)

序号 Item	零件号 Part No	零部件名称 Description	数量 Q'ty	备注 Remark
1	A15D5-02027	壳体盖 Cover, case	1	
2	A15D5-02028	变速臂 Arm, shift	1	
3	GB879-76	销 6×32 Pin, lock	1	
4	A15D5-02029	变速臂轴 Shaft, shift arm	1	
5	GB1235-76	O形圈20×2.4 O-ring	1	
6	GB1099-79	半圆键5×19key, woodruff	1	
7	A15D5-02030	螺栓 Bolt	1	
8	A15D5-02031	衬垫 Shim	7	
9	A15D5-02032	塞子 Plug	1	
10	A15D5-02033	倒车灯开关 Switch	2	
11	A15D5-02034	垫片 Washer	2	
12	A15D5-02035	管接头 Nipple	1	
13	A15D5-02036	滤油器 Filter, oil	1	
14	GB879-76	弹性圆柱销 4×25 Pin, lock	1	
15	A15D5-02037	活塞 Piston	1	
16	A15D5-02038	弹簧 Spring	1	
17	A15D5-02039	安全阀盖 Cup	1	
18	A15D5-02040	衬垫 Packing, copper	1	
19	Q/ZB285-1	螺塞 1/8 " Plug	6	
20	Q/ZB285-2	螺塞 1/4 " Plug	4	
21	A15D5-02400	控制阀总成 Control valve ass'y	1	选用

传动装置 (盖和微动阀)
Drive unit (cover & inching valve)

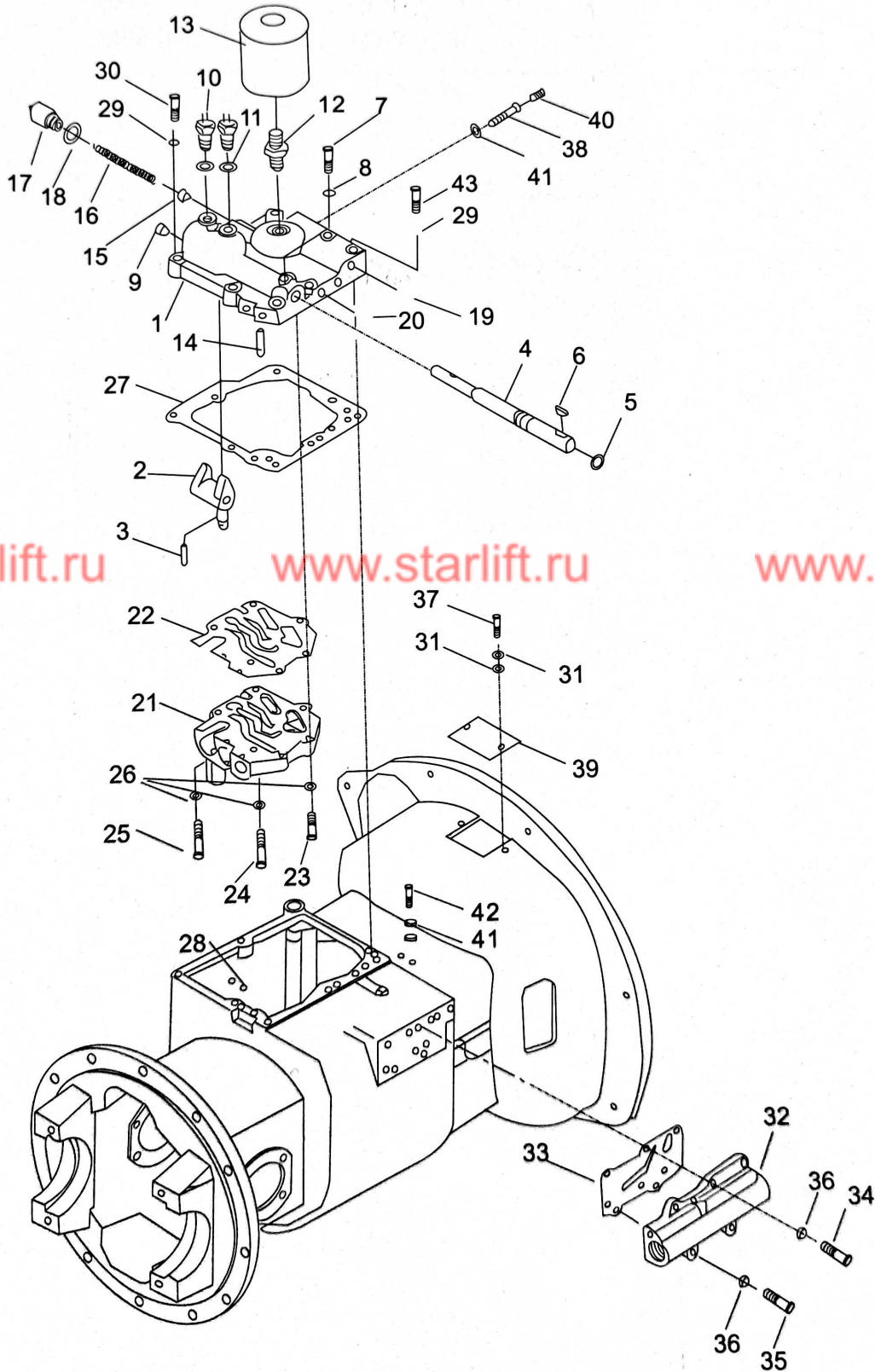


传动装置 (盖和微动阀)
Drive unit (cover & inching valve)

序号 Item	零件号 Part No	零部件名称 Description	数量 Q'ty	备注 Remark
-	A15D5-02041	电流控制阀 Electric-controller hydraulic valve	1	选用
22	A15D5-02042	垫片 Gasket	1	
23	GB5782-86	螺栓M8×35 Bolt	2	
24	GB5782-86	螺栓M8×55 Bolt	2	
25	GB5782-86	螺栓M8×50 Bolt	2	
26	GB93-87	垫圈 8 Shim	6	
27	A15D5-02043	垫片 Gasket	1	
28	GB1235-76	O形圈9×1.91 O-ring	2	
29	GB93-87	垫圈 10 Shim	8	
30	GB5782-86	螺栓M10×1.25×55 Bolt	2	
31	GB97.1-85	垫圈 8 Shim	3	
32	A15D5-02500	微动阀总成 Inching valve ass'y	1	
33	A15D5-02044	衬垫 Shim	1	
34	GB5783-86	螺栓M8×25 Bolt	4	
35	GB5783-86	螺栓M8×50 Bolt	2	
36	GB93-87	垫圈 8 Shim	5	
37	GB5783-86	螺栓M8×12 Bolt	2	
38	A15D5-02045	连接螺栓 Bolt, joint	1	
39	A15D5-02046	变矩器盖 Cover, tor-con	1	
40	A15D5-02047	螺塞 1/8 " Plug	1	

GOODSENSE

传动装置 (盖和微动阀) Drive unit (cover & inching valve)

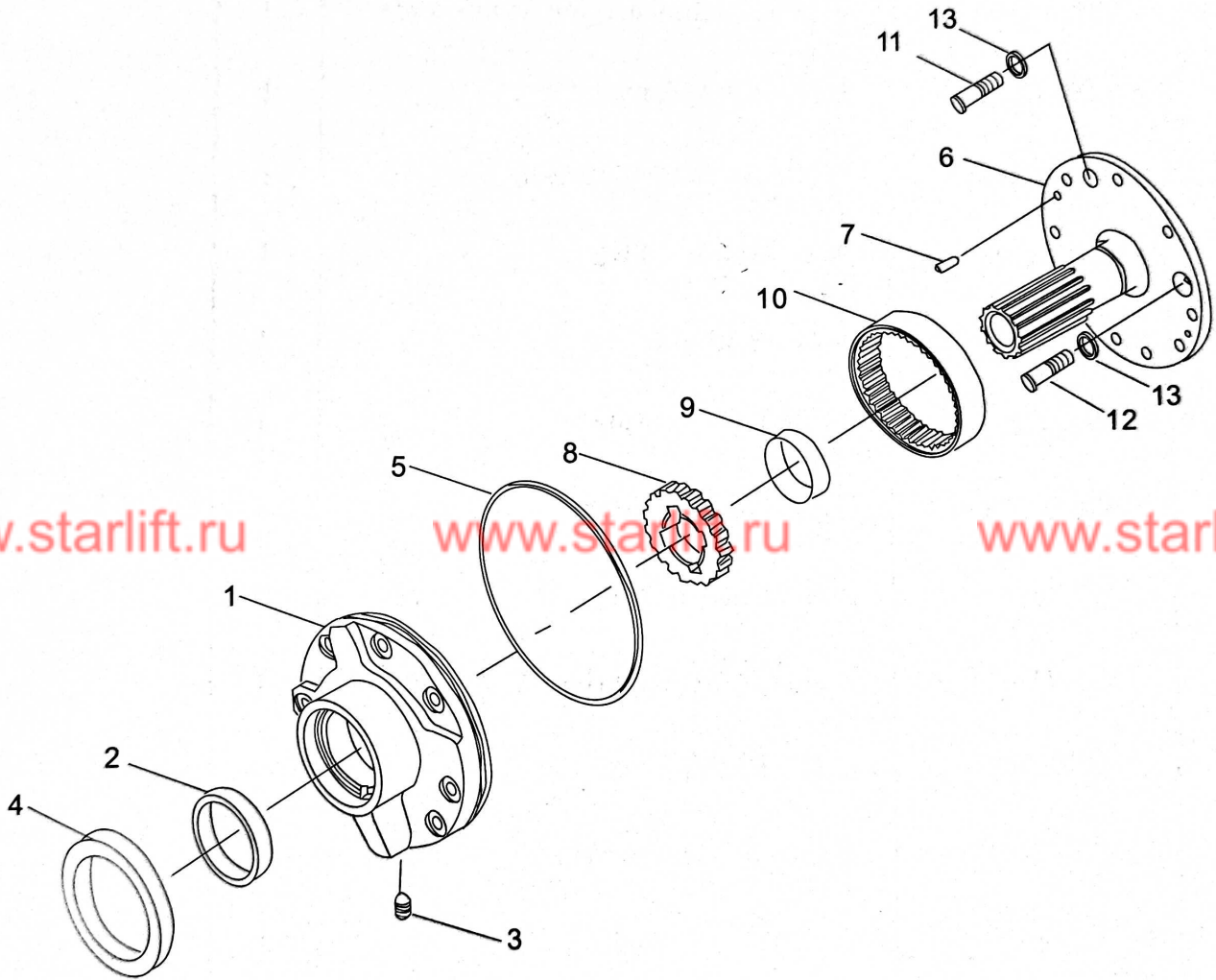


传动装置 (盖和微动阀)
Drive unit (cover & inching valve)

序号 Item	零件号 Part No	零部件名称 Description	数量 Q'ty	备注 Remark
41	A15D5-02048	铜垫 Packing, copper	4	
42	A15D5-02049	连接螺栓 Bolt, joint	1	
43	GB5785-86	螺栓M10×1.25×40 Bolt	6	

供油泵 (液力式)

Charging pump (tor-con type)

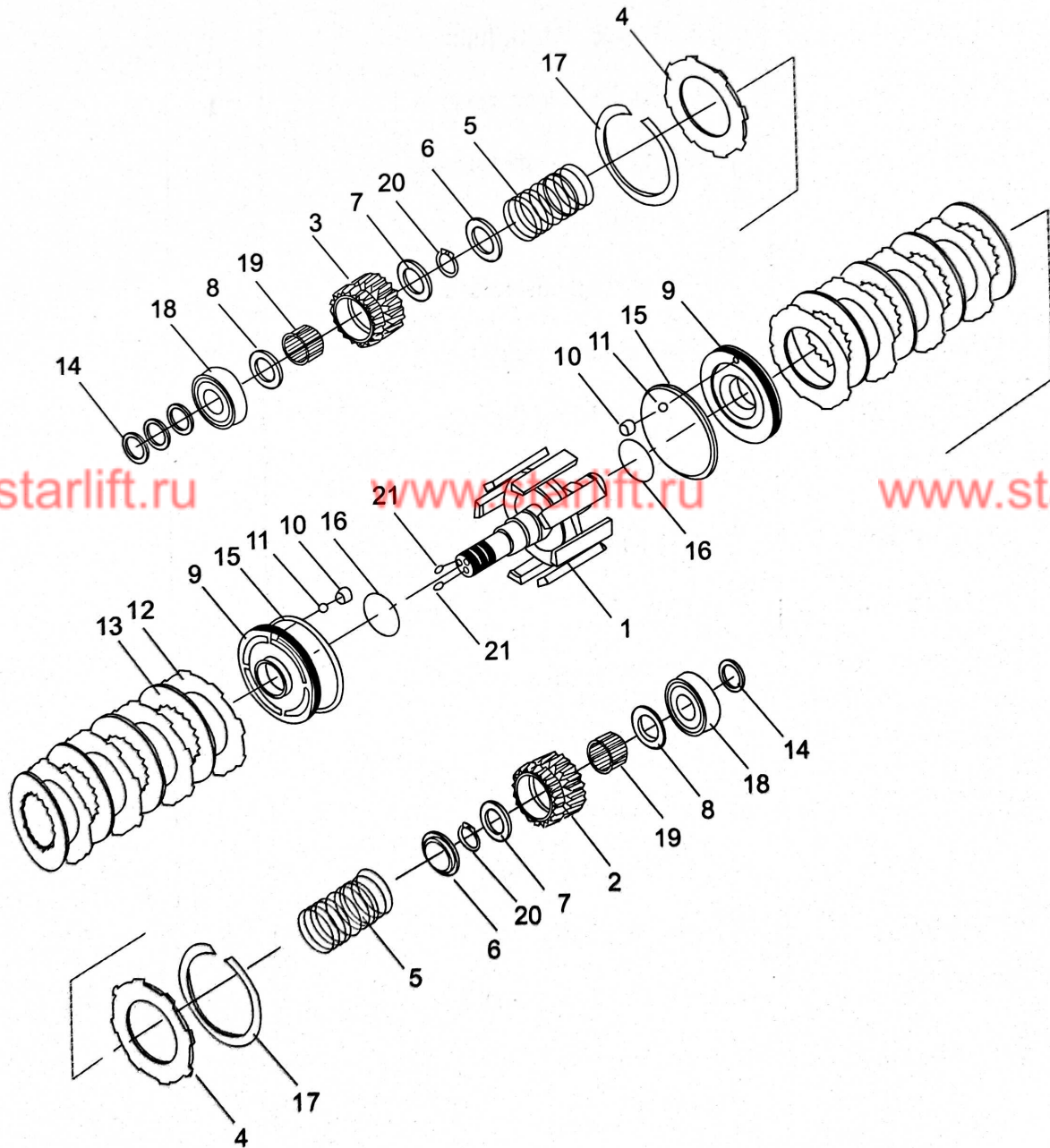


供油泵 (液力式)
Charging pump (tor-con type)

序号 Item	零件号 Part No	零部件名称 Description	数量 Q'ty	备注 Remark
		供油泵总成 Charging Pump ass'y	1	
1	A15D5-02200	泵体 Case, Pump	1	
2	A15D5-02201	衬套 Bushing	1	
3	A15D5-02202	螺塞 ZG1/8" Plug	1	
4	A15D5-02203	油封 Seal, oil	1	
5	A15D5-02204	O形密封垫 O-ring	1	
6	A15D5-02205	定子 Support, starter	1	
7	GB119-86	圆柱销 6×16 Pin	2	
8	A15D5-02206	主动齿轮 Gear, drive	1	
9	A15D5-02207	衬套 Bushing	1	
10	A15D5-02208	被动齿轮 Gear, driven	1	
11	A15D5-02209	螺栓M8×45 Bolt	4	
12	GB5782-86	螺栓M8×25 Bolt	1	
-	GB5783-86	螺栓M8×35 Bolt	3	
13	A15D5-02210	衬垫 Washer	2	

GOODSENSE

液力离合器 (液力式)
Hydraulic clutch (tor-con type)

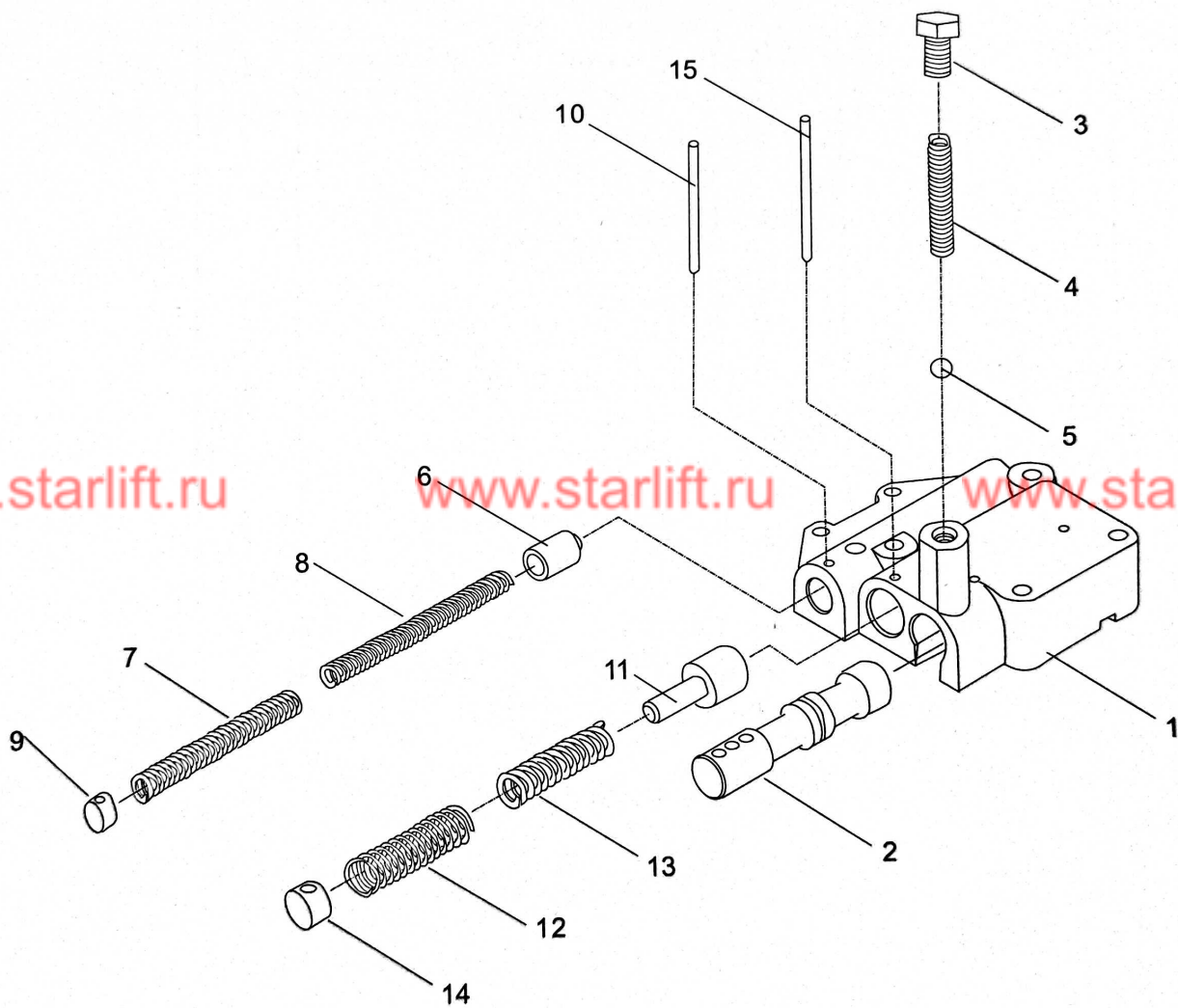


液力离合器 (液力式)
Hydraulic clutch (tor-con type)

序号 Item	零件号 Part No	零部件名称 Description	数量 Q'ty	备注 Remark
1	A15D5-02301	输入轴总成 Shift, input	1	
2	A15D5-02302	倒车档齿轮 Gear, reverse	1	
3	A15D5-02303	前进档齿轮 Gear, forward	1	
4	A15D5-02304	端板 Plate, end	2	
5	A15D5-02305	回程弹簧 spring, return	2	
6	A15D5-02306	弹簧座 Seat, spring	2	
7	A15D5-02307	止推环 A Ring, thrust	2	
8	A15D5-02308	止推环 B Ring, thrust	2	
9	A15D5-02309	活塞 Piston	1	
10	A15D5-02310	塞 Plug	1	
11	GB307-77	钢环 1/8 " Ball, steel	1	
12	A15D5-02311	摩擦片 Plate, friction	8	
13	A15D5-02312	隔片 Plate, separator	8	
14	A15D5-02313	密封环 A Ring , seal	4	
15	A15D5-02314	密封环 B Ring , seal	2	
16	GB1235-76	O形圈33.7×3.5 O-ring	2	
17	A15D5-02315	卡环 Snap, ring	2	
18	GB276-82	轴承206 Bearing	2	
19	A15D5-02316	滚针轴承 Bearing, needle	2	
20	GB894-86	挡圈40 Snap, ring	2	
21	GB78-85	螺钉M8×8 Bolt	2	

GOODSENSE

控制阀 (液力式)
Control valve (tor-con type)

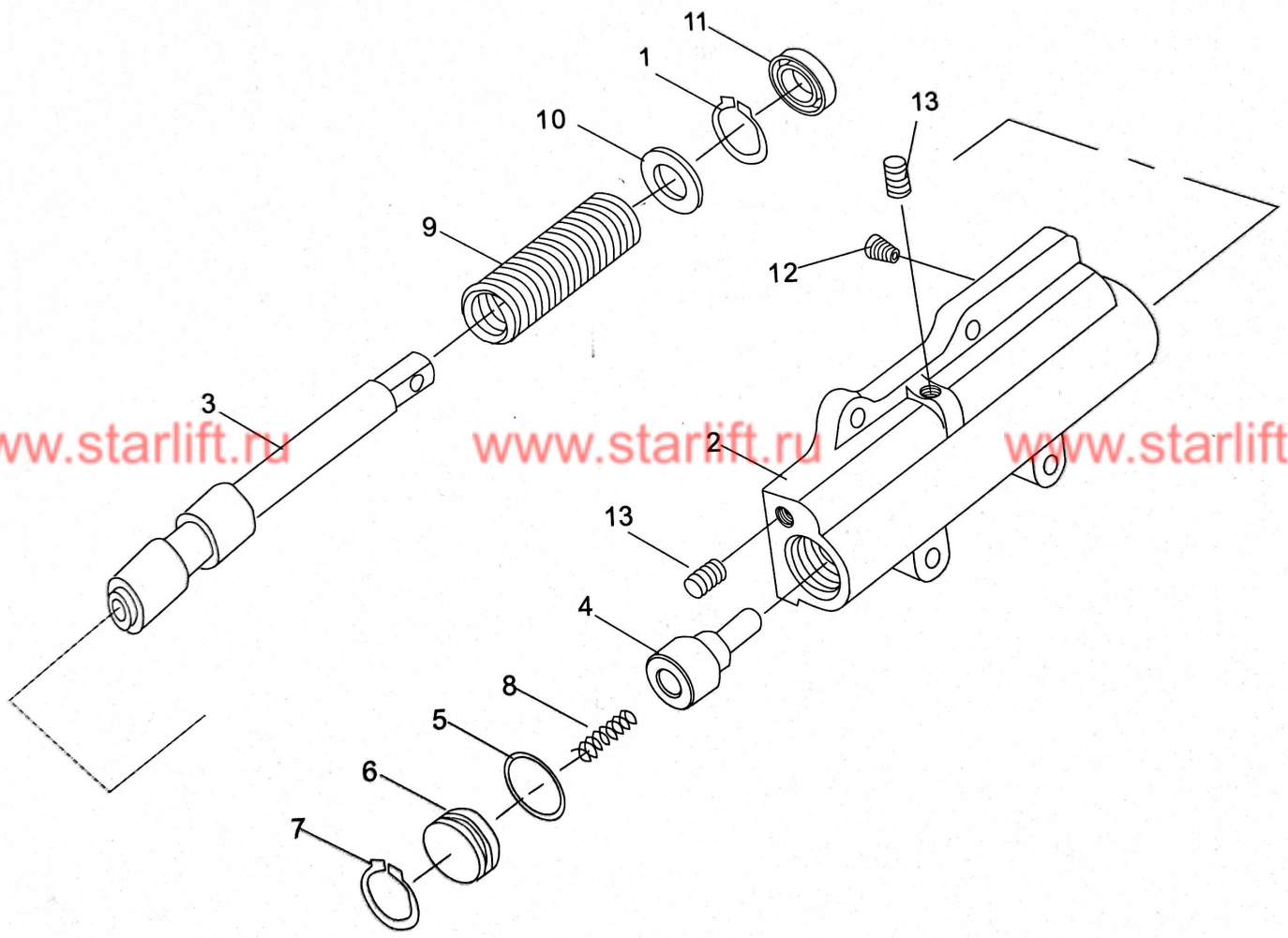


控制阀 (液力式)
Control valve (tor-con type)

序号 Item	零件号 Part No	零部件名称 Description	数量 Q'ty	备注 Remark
	A15D5-02400	控制阀总成 Control valve ass'y	1	
1	A15D5-02401	阀体 Body, valve	1	
2	A15D5-02402	滑阀 Slide valve	1	
3	A15D5-02403	油塞 Plate, end	1	
4	A15D5-02404	弹簧 Spring	1	
5	GB308-77	钢球 13/32 " Ball	1	
6	A15D5-02405	活塞 Piston	1	
7	A15D5-02406	弹簧 Spring	1	
8	A15D5-02407	弹簧 Spring	1	
9	A15D5-02408	塞 Plug	1	
10	GB879-76	弹性圆柱销4×35 Pin, lock	1	
11	A15D5-02409	卷轴 Spool	1	
12	A15D5-02410	弹簧 Spring	1	
13	A15D5-02411	弹簧 Spring	1	
14	A15D5-02412	塞 Plug	1	
15	GB879-76	弹性圆柱销4×40 Pin, lock	1	

GOODSENSE

微动阀 (液力式)
Inching valve (tor-con type)



微动阀 (液力式)
Inching valve (tor-con type)

序号 Item	零件号 Part No	零部件名称 Description	数量 Q'ty	备注 Remark
	A15D5-02500	微动阀总成 Inching valve ass'y	1	
1	GB893. 1-86	挡圈 Snap ring	1	
2	A15D5-02501	阀体 Body, valve	1	
3	A15D5-02502	卷杆 Spool	1	
4	A15D5-02503	滑阀 Slide valve	1	
5	GB3452. 1-92	O形圈33.7×3.5 O-ring	1	
6	A15D5-02504	油堵 Seal, oil	1	
7	GB893. 1-86	挡圈28 Snap ring	1	
8	A15D5-02505	微动弹簧 $\phi 1.2 \times D9.2 \times 30$ Spring	1	
9	A15D5-02506	微动弹簧 $\phi 3 \times D22.9 \times 87.4$ Spring	1	
10	A15D5-02507	垫块 Spacer	1	
11	HG4-692-69	油封 $\phi 30 \times 16 \times 7$ Seal,oil	1	
12	A15D5-02508	油塞 Plug,choke	1	
13	Q/ZB285-77	螺塞 Z1/8 " Plug	2	