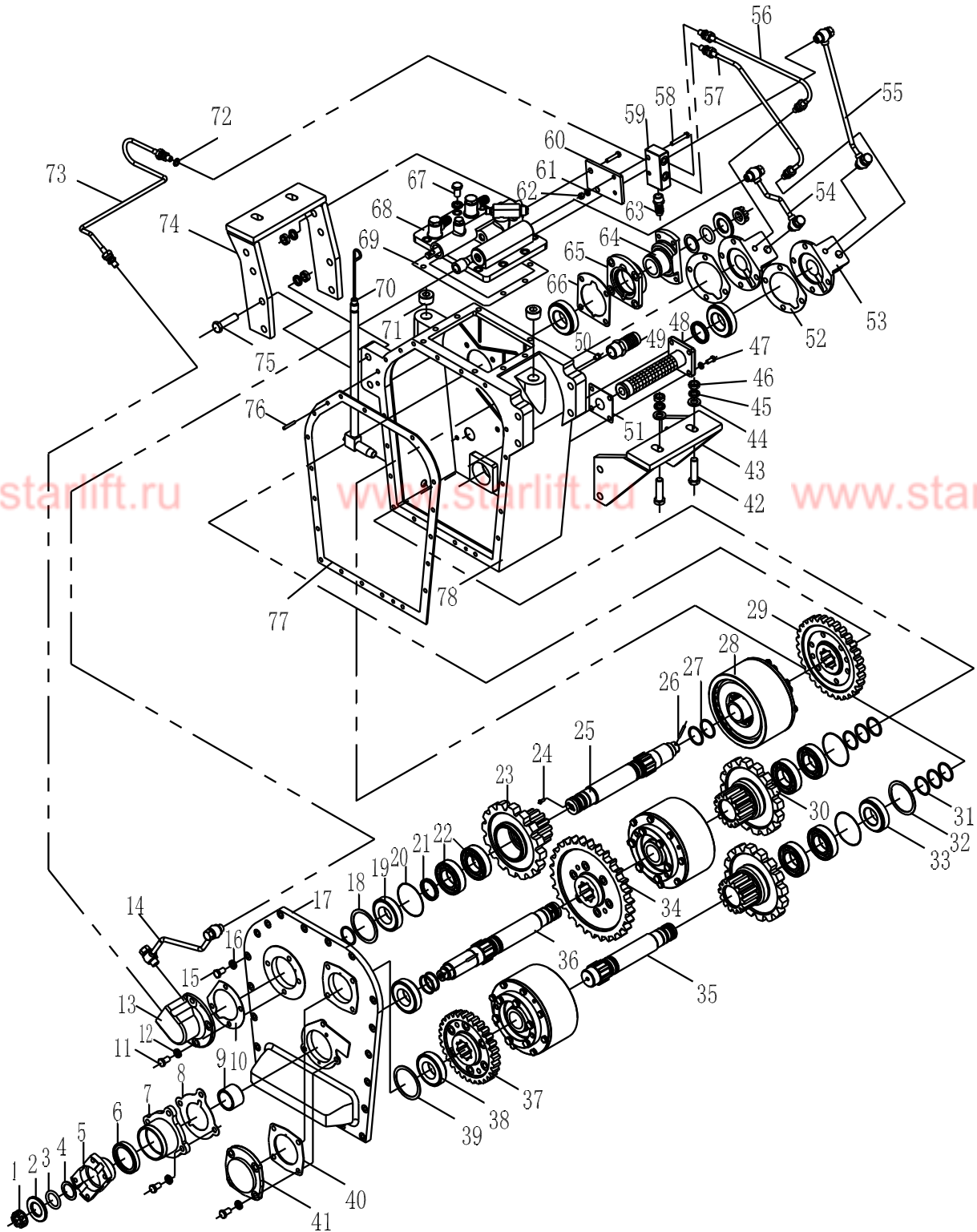


01-09-01

变速箱 TRANSMISSION CASE



01-09-01

变速箱 TRANSMISSION CASE

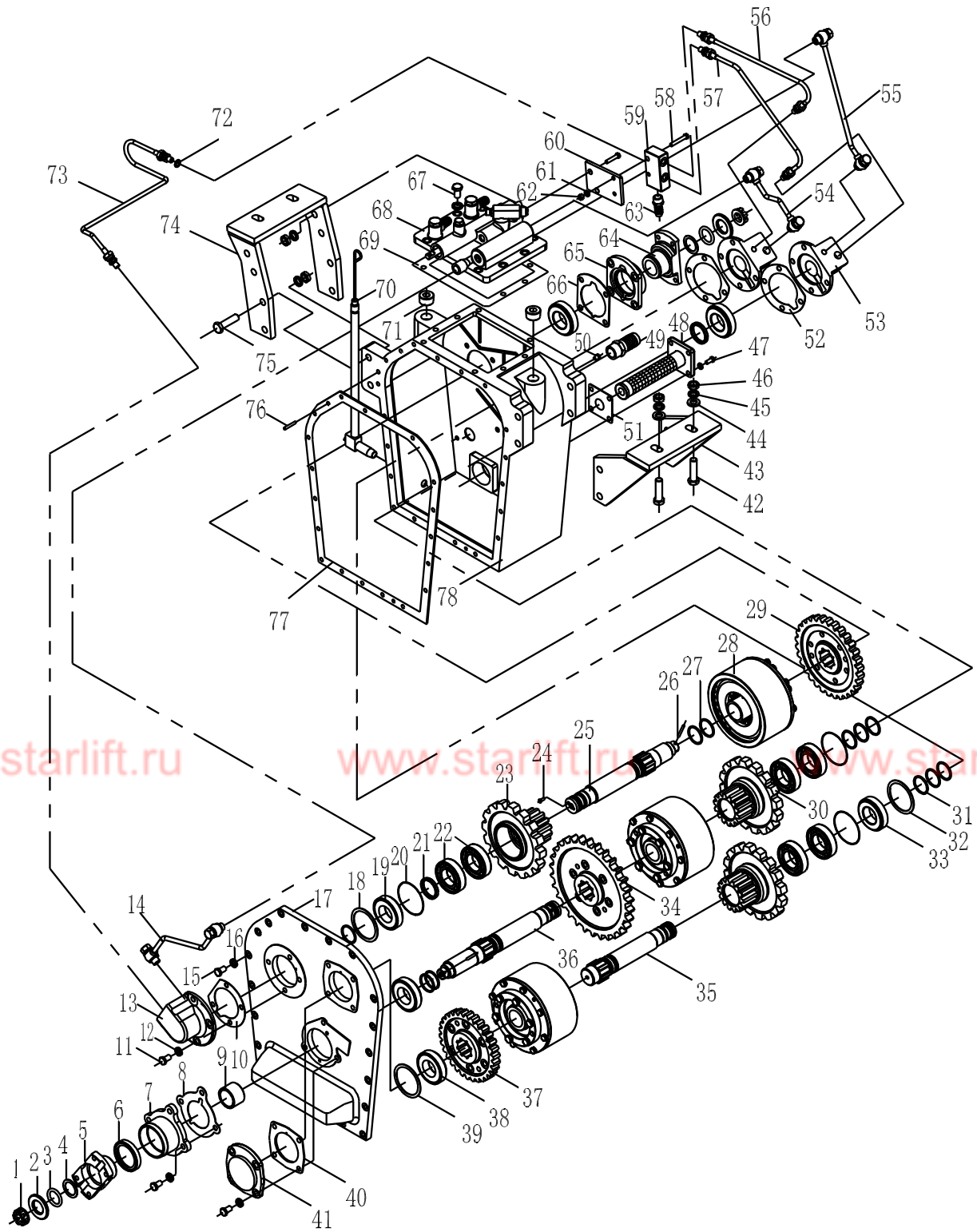
01: GPCD50 (CD-AA) 04: GPCD50 (CD-FA)
02: GPCD60 (CD-AA) 05: GPCD60 (CD-FA)
03: GPCD70 (CD-AA) 06: GPCD70 (CD-FA)

序号 ITEM NO	零件编号 PART NO.	零件名称及规格 PART NAME & DESCRIPTION	数量 Q' TY						备注 REMARK
			适用车型 APLICABLE SERIAL NO						
			01	02	03	04	05	06	
1	A847.12.2-19	螺母 M24×1.5 NUT M24×1.5	2	2	2	2	2	2	
2	A847.12.2-18	挡圈 WASHER	2	2	2	2	2	2	
3	A847.12.2-16	密封圈 O-RING	2	2	2	2	2	2	
4	A847.12.2-15	垫 WASHER	2	2	2	2	2	2	
5	A847.9-42	联轴节 FLANGE	1	1	1	1	1	1	
6	HG4-692-1967	骨架橡胶油封环 METAL INSERT SEAL	4	4	4	4	4	4	
7	A847.9-41	盖 COVER	1	1	1	1	1	1	
8	A847.9-26	垫 GASKET	1	1	1	1	1	1	
9	A847.9-40	隔环 WASHER	1	1	1	1	1	1	
10	A847.9-21	垫 GASKET	2	2	2	2	2	2	
11	GB5781	螺栓 M12×30 BOLT M12×30	23	23	23	23	23	23	
12	GB93	垫圈 12 WASHER 12	31	31	31	31	31	31	
13	A847.9-04	轴承盖 BEARING COVER	1	1	1	1	1	1	
14	A847.9.11A	I 挡油管总成 SPEED OIL PIPE ASS' Y	1	1	1	1	1	1	
15	GB5781	螺栓 M10×30 BOLT M10×30	24	24	24	24	24	24	
16	GB93	垫圈 10 WASHER 10	24	24	24	24	24	24	
17	A847.9-25	箱盖 CASECOVER	1	1	1	1	1	1	
18	A847.9-33	调整垫片 SHIM	1组	1组	1组	1组	1组	1组	
19	GB/T 297	轴承 30308 BEARING 30308	1	1	1	1	1	1	
20	GB893.1	挡圈 85 WASHER 85	3	3	3	3	3	3	
21	A847.9-09	挡环 SPACER	3	3	3	3	3	3	
22	GB276	轴承 6209 BEARING 6209	6	6	6	6	6	6	
23	A847.9-22	齿轮 GEAR	2	2	2	2	2	2	
24	GB73	螺钉 M8×10 SCREW M8×10	3	3	3	3	3	3	
25	A847.9-23	输入轴 INPUT SHAFT	1	1	1	1	1	1	
26	GB91	销 5×45 COTTER PIN	2	2	2	2	2	2	
27	GB1235	O型密封圈 45×3.5 O-RING	6	6	6	6	6	6	
28	A847.9.3	离合器 CLUTCH ASS' Y	3	3	3	3	3	3	
29	A847.9-14	齿轮 GEAR	1	1	1	1	1	1	
30	A847.9-01	齿轮 GEAR	2	2	2	2	2	2	
31	A847.9-05	油封环 SEAL RING	9	9	9	9	9	9	
32	A847.9-24	调整垫片 SHIM	2组	2组	2组	2组	2组	2组	
33	GB/T 297	轴承 32208 BEARING 32208	2	2	2	2	2	2	
34	GB/T 297	轴承 32208 BEARING 32208	2	2	2	2	2	2	
35	A847.9-29	齿轮 GEAR	1	1	1	1	1	1	

		A847.9-19	倒挡轴 REVERSE SHAFT	1	1	1	1	1	1	
36		A847.9-27	输出轴 OUTPUT SHAFT	1	1	1	1	1	1	
37		A847.9-16	齿轮 GEAR	1	1	1	1	1	1	
38		GB/T 297	轴承 32209 BEARING 32209	3	3	3	3	3	3	
39		A847.9-20	调整垫片 SHIM	2组	2组	2组	2组	2组	2组	
40		A847.9-17	垫 GASKET	1	1	1	1	1	1	
41		A847.9-18	轴承盖 BEARING COVER	1	1	1	1	1	1	
42		GB5781	螺栓 M16×60 BOLT M16×60	4	4	4	4	4	4	
43		A847.9.6	左支架 LEFT BRACKET	1	1	1	1	1	1	
44		GB97.1	垫圈 16 WASHER 16	4	4	4	4	4	4	
45		GB93	垫圈 16 WASHER 16	12	12	12	12	12	12	
46		GB6170	螺母 M16 NUT M16	12	12	12	12	12	12	
47		GB5781	螺栓 M10×25 BOLT M10×25	4	4	4	4	4	4	
48		A847.9.1	滤油器 OIL FILTER	1	1	1	1	1	1	
49		A847.9-38	低压管接头 PIPE FITTING LOW PRESSURE	1	1	1	1	1	1	
50		JB/ZQ 4447-86	螺塞 NPT1/8 PLUG NPT1/8	1	1	1	1	1	1	

01-09-01

变速箱
TRANSMISSION CASE



01-09-01

变速箱
TRANSMISSION CASE

- | | |
|--------------------|--------------------|
| 01: CPCD50 (CD-AA) | 04: CPCD50 (CD-FA) |
| 02: CPCD60 (CD-AA) | 05: CPCD60 (CD-FA) |
| 03: CPCD70 (CD-AA) | 06: CPCD70 (CD-FA) |

序号 ITEM NO	零件编号 PART NO.	零件名称及规格 PART NAME & DESCRIPTION	数量 Q' TY						备注 REMARK
			适用车型 APLICABLE SERIAL NO						
			01	02	03	04	05	06	
51	A847.9-03	垫 GASKET	1	1	1	1	1	1	
52	A847.9-39	垫 GASKET	2	2	2	2	2	2	
53	A847.9-02	轴承盖 BEARING COVER	2	2	2	2	2	2	
54	A847.9.8A	倒挡油管总成 REVERSE SPEED' LUB PIPE ASS' Y	1	1	1	1	1	1	
55	A847.9.9A	II 挡油管总成 2ND SPEED' S LUB PIPE ASS' Y	1	1	1	1	1	1	
56	A847.9.15A	倒挡润滑油管 REVERSE SPEED' S OILPIPE ASS' Y	1	1	1	1	1	1	
57	A847.9.16A	II 挡润滑油管 2ND SPEED' S OILPIPE ASS' Y	1	1	1	1	1	1	
58	GB5780	螺栓 M8×50 BOLT M8×50	2	2	2	2	2	2	
59	A847.9-34	四通接头 FOUR-WAY FITTING	1	1	1	1	1	1	
60	A847.9-35	连接板 PLATE	1	1	1	1	1	1	
61	GB93	垫圈 8 WASHER 8	2	2	2	2	2	2	
62	GB6170	螺母 M8 NUT M8	2	2	2	2	2	2	
63	A847.9-37	低压管接 PIPE FITTING LOW	1	1	1	1	1	1	
64	A847.9.13	联轴节总成 FLANGE ASS' Y	1	1	1	1	1	1	
65	A847.9-12	轴承盖 BEARING COVER	1			1	1	1	
66	A847.9-13	垫 GASKET	1	1	1	1	1	1	
67	GB5781	螺栓 M12×30 BOLT M12×30	8	8	8	8	8	8	
68	A847B I Z. 9. 1	操纵阀 CONTROL VALVE ASS' Y	1	1	1	1	1	1	
69	A847.9-31	垫 GASKET	1	1	1	1	1	1	
70	A847.9.18	油标尺总成 OIL GAUGE ASS' Y	1	1	1	1	1	1	
71	JB/ZQ446-1986	螺塞 R3/4 PLUG R3/4	1	1	1	1	1	1	
72	A847.9-36	垫 GASKET	6	6	6	6	6	6	
73	A847.9.17A	I 挡润滑油管 1ND SPEED' S OILPIPE ASS' Y	1	1	1	1	1	1	
74	A847.9.12	右支架 RIGHT BRACKET	1	1	1	1	1	1	
75	GB5781	螺栓 M16×70 BOLT M16×70	8	8	8	8	8	8	
76	GB118	销 K10×35 TEAR PIN K10×35	2	2	2	2	2	2	
77	A847.9-30	垫 GASKET	1	1	1	1	1	1	
78	A847.9-15	箱体 CASE	1	1	1	1	1	1	
79	A847B I Z. 9. 00	变速箱 TRANSMISSION CASE	1	1	1	1	1	1	