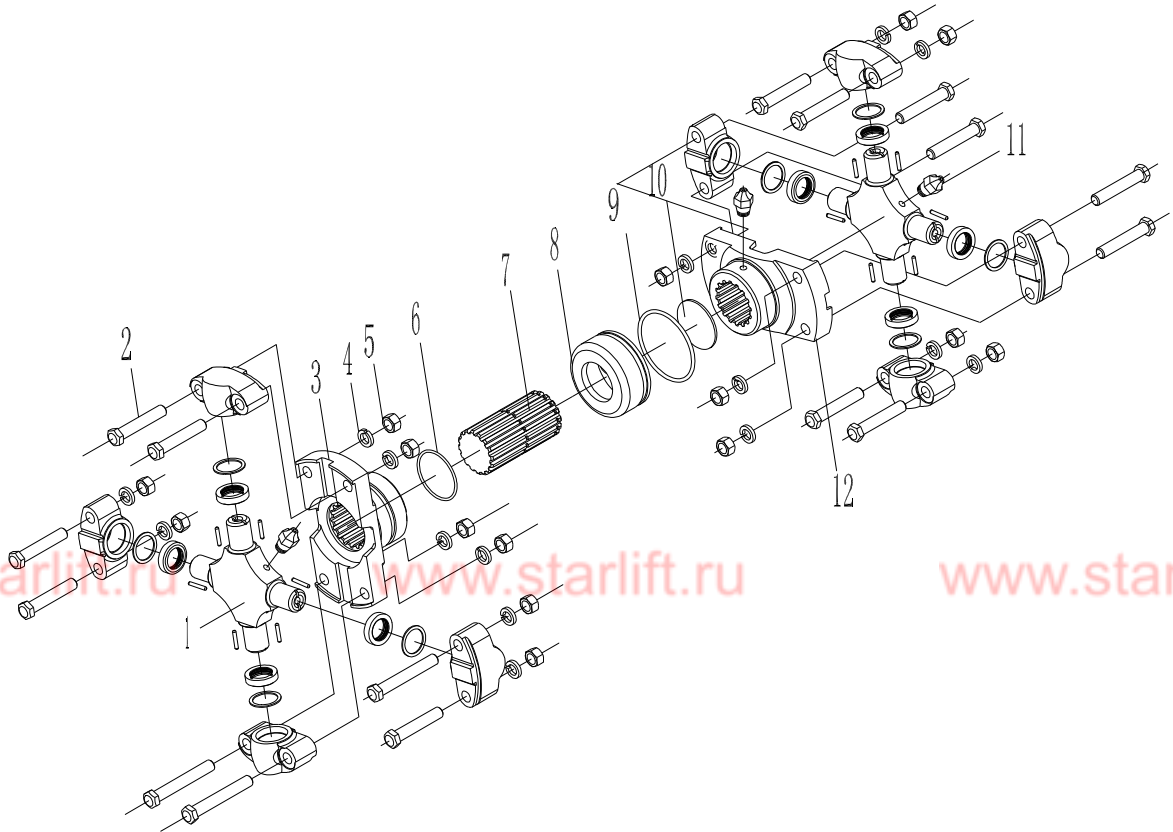


01-08-01

中间传动轴
MID PROPELLER SHAFT

13



01-08-01

中间传动轴
MID PROPELLER SHAFT

01: CPCD50 (CD-AA) 04: CPCD50 (CD-FA)
02: CPCD60 (CD-AA) 05: CPCD60 (CD-FA)
03: CPCD70 (CD-AA) 06: CPCD70 (CD-FA)

序号 ITEM NO	零件编号 PART NO.	零件名称及规格 PART NAME & DESCRIPTION	数量 Q' TY						备注 REMARK
			适用车型 APPLICABLE SERIAL NO						
			01	02	03	04	05	06	
1	CPCD	翼形轴承万向节 SPLINED SLIDING SHAFT	2	2	2	2	2	2	
2	A847.10-02	螺栓 BOLT	12	12	12	12	12	12	
3	A847.10-04	联轴节 COUPLING OF SHAFT	1	1	1	1	1	1	
4	GB93	垫圈 10 WASHER 10	16	16	16	16	16	16	
5	A847.10-03	螺母 NUT	16	16	16	16	16	16	

