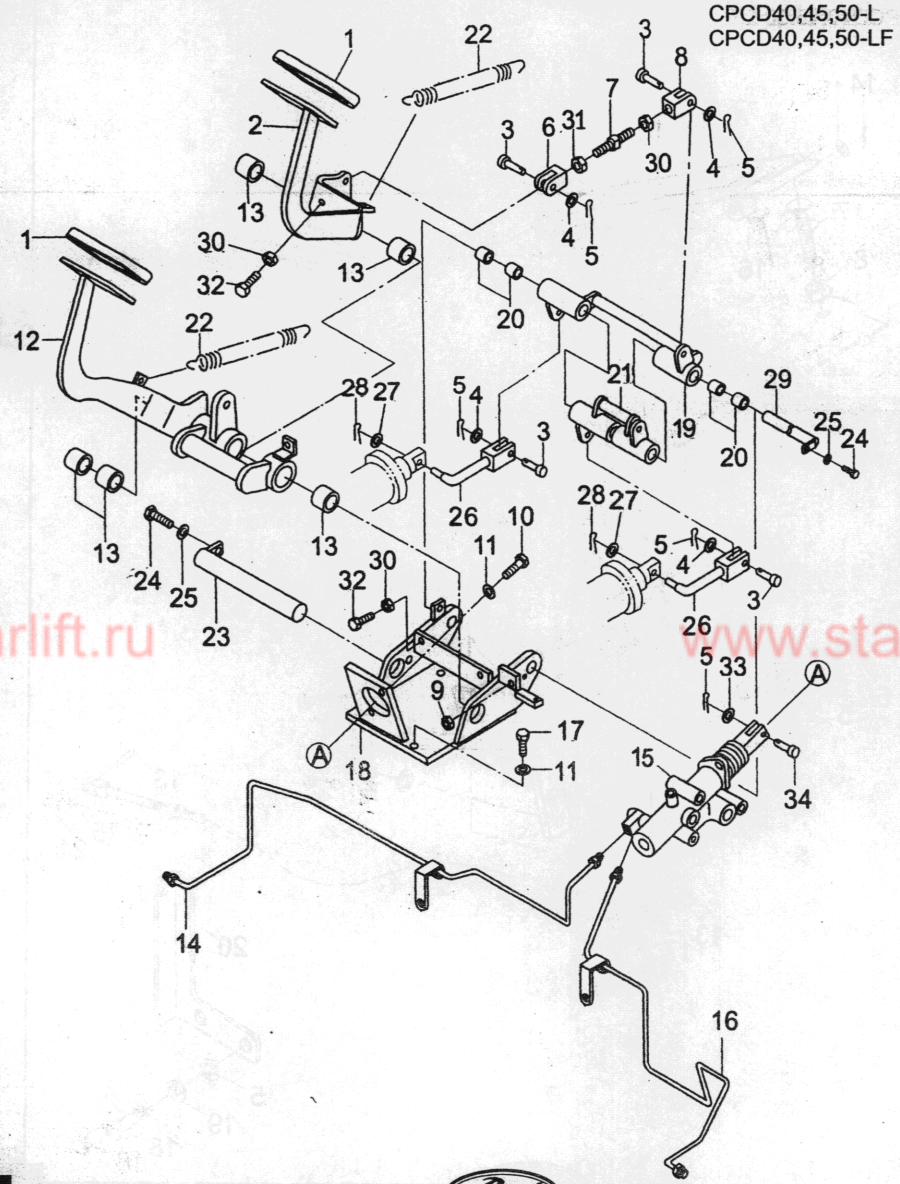


D3

行车制动与微动操纵 / BRAKE & INCHING CONTROL

图31/FIG31



| 序号<br>Item No | 图号<br>Part No | 零部件名称<br>Description | 件数<br>Q'ty    | 备注<br>Remark |
|---------------|---------------|----------------------|---------------|--------------|
| 01            | 30CX680003    | Cover,pedal head     | 踏板垫           | 2            |
| 02            | 45CD683000    | Pedal                | 微动踏板          | 1            |
| 03            | GB882-86      | Pin,clevi            | 销轴8×26        | 4            |
| 04            | GB97.1-86     | Shim                 | 垫圈8           | 4            |
| 05            | GB9-86        | Pin,cotter           | 销8            | 4            |
| 06            | 45CD687003    | Yoke,right           | 右接头           | 1            |
| 07            | 45CD687002    | Rod                  | 调节螺杆          | 1            |
| 08            | 45CD687001    | Yoke,left            | 左接头           | 1            |
| 09            | GB6171-86     | Nut                  | 螺母M10×1       | 1            |
| 10            | GB5786-86     | Bolt                 | 螺栓M8×20       | 1            |
| 11            | GB93-87       | Washer               | 垫圈10          | 6            |
| 12            | 45CD682000    | Brake,pedal          | 制动踏板          | 1            |
| 13            | SF-1          | Bushing              | 钢背轴承2525      | 5            |
| 14            | A32C5-40501   | Pipe R.H,brake       | 油管总成(右)       | 1            |
| 15            | A01D5-41101   | Master cylinder      | 微动阀           | 1            |
| 16            | A32C5-40601   | Pipe L.H,brake       | 油管总成(左)       | 1            |
| 17            | GB5786-86     | Bolt                 | 螺栓M10×1.25×25 | 4            |
| 18            | 45CD681000    | Bracket,pedal        | 支架            | 1            |
| 19            | 45CD688000    | Rod                  | 微动摇杆          | 1            |
| 20            | SF-1          | Bushing              | 钢背轴承1515      | 8            |
| 21            | 45CD686000    | Rod                  | 换挡摇杆          | 1            |
| 22            | 45CD680002    | Spring               | 弹簧            | 2            |
| 23            | 45CD684000    | Pin,clevis           | 销轴            | 1            |
| 24            | GB5781-86     | Bolt                 | 螺栓M6×20       | 2            |
| 25            | GB93-87       | Washer               | 垫圈6           | 2            |
| 26            | 45CD685000    | Rod,connetcing       | 拉杆            | 2            |
| 27            | GB97.1-86     | Shim                 | 垫圈6           | 2            |
| 28            | GB91-86       | Pin,clevis           | 销2×20         | 2            |
| 29            | 45CD689000    | Pin,clevis           | 销轴II          | 1            |
| 30            | GB6170-86     | Nut                  | 螺母M10         | 3            |





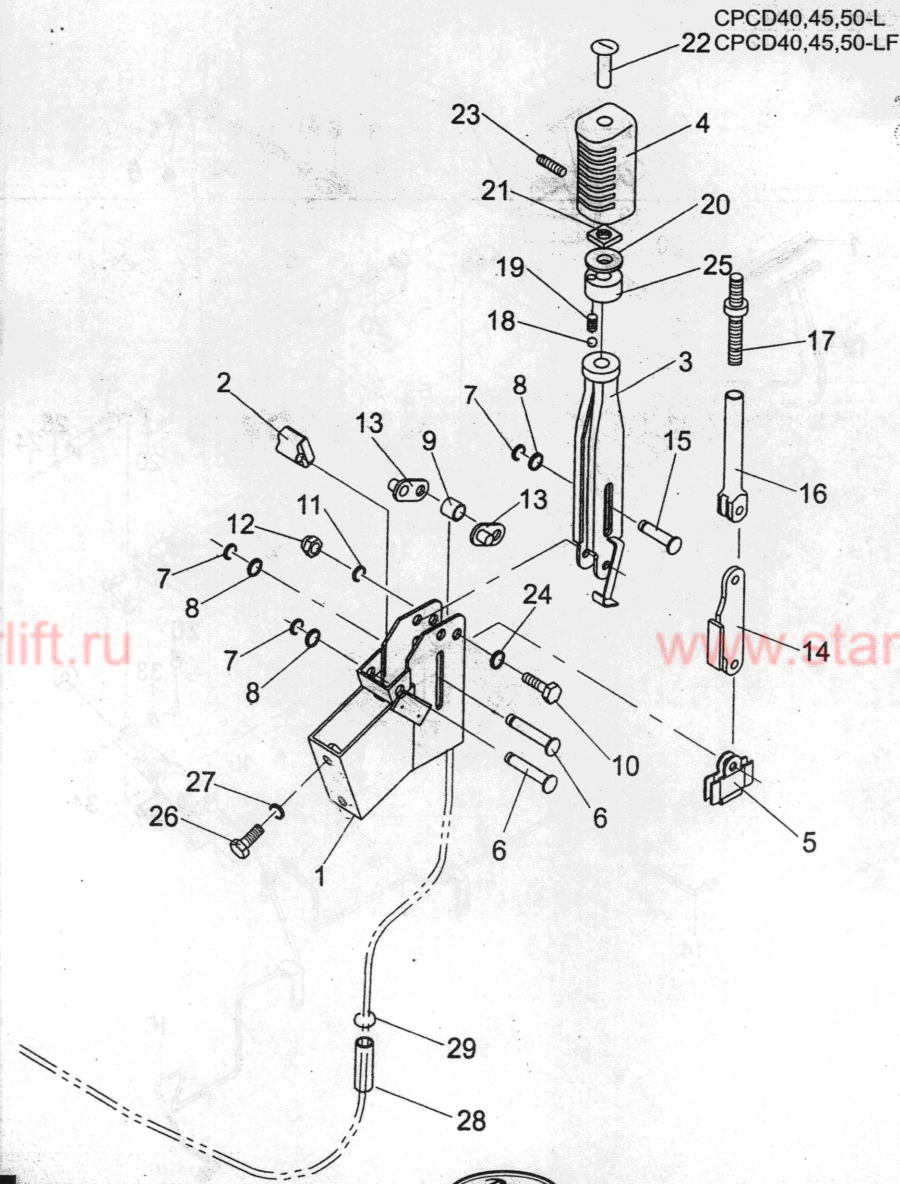




D4

停车制动/BRAKE LEVER

图32/FIG32



| 序号<br>Item No | 图号<br>Part No           | 零部件名称<br>Description | 件数<br>Q'ty | 备注<br>Remark |
|---------------|-------------------------|----------------------|------------|--------------|
| 01            | A01D5-50301             | Bracket              | 支架总成       | 1            |
| 02            | A01D5-50401             | Packing              | 缓冲垫        | 1            |
| 03            | A01D5-50501             | Plate,control        | 闸把         | 1            |
| 04            | A01D5-52021             | Hand,knob            | 把手         | 1            |
| 05            | A01D5-52031             | Bracket              | 封线架        | 1            |
| 06            | A01D5-52041             | Pin,shaft            | 销轴         | 2            |
| 07            | B6152-00008             | Snap,ring            | 卡簧         | 3            |
| 08            | GB95-85                 | Washer               | 垫圈8        | 3            |
| 09            | A01D5-52051             | Bushing              | 套          | 1            |
| 10            | GB5783-86               | Bolt                 | 螺栓M10 × 45 | 1            |
| 11            | B5052-00010             | Washer               | 垫圈10       | 1            |
| 12            | GB932-88<br>A01D5-52061 | Nut                  | 盖形螺母M10    | 1            |
| 13            | A01D5-50601             | Pin,shaft            | 支承销        | 2            |
| 14            | A01D5-50701             | Plate                | 拉紧板        | 1            |
| 15            | A01D5-52071             | Pin,shaft            | 销轴         | 1            |
| 16            | A01D5-50801             | Screw body           | 拉杆         | 1            |
| 17            | A01D5-52081             | Bolt                 | 螺栓         | 1            |
| 18            | Z1520-G0060             | Ball                 | 钢球Φ6       | 1            |
| 19            | A01D5-52091             | Spring               | 压簧         | 1            |
| 20            | A01D5-52101             | Washer               | 垫圈         | 1            |
| 21            | A01D5-52111             | Nut                  | 方形螺母M8     | 1            |
| 22            | GB73-86                 | Screw                | 螺钉M4       | 1            |
| 23            | A01D5-52121             | Screw rod            | 调节螺杆       | 1            |
| 24            | GB95-85                 | Washer               | 垫圈10       | 1            |
| 25            | A01D5-52131             | Nut                  | 螺母         | 1            |
| 26            | GB5781-86               | Bolt                 | 螺栓M10 × 30 | 2            |
| 27            | GB93-87                 | Washer               | 垫圈10       | 2            |
| 28            | A01D5-50201             | Band                 | 护套         | 2            |
| 29            | 90D-91-1                | Clip                 | 尼龙扎带       | 4            |

