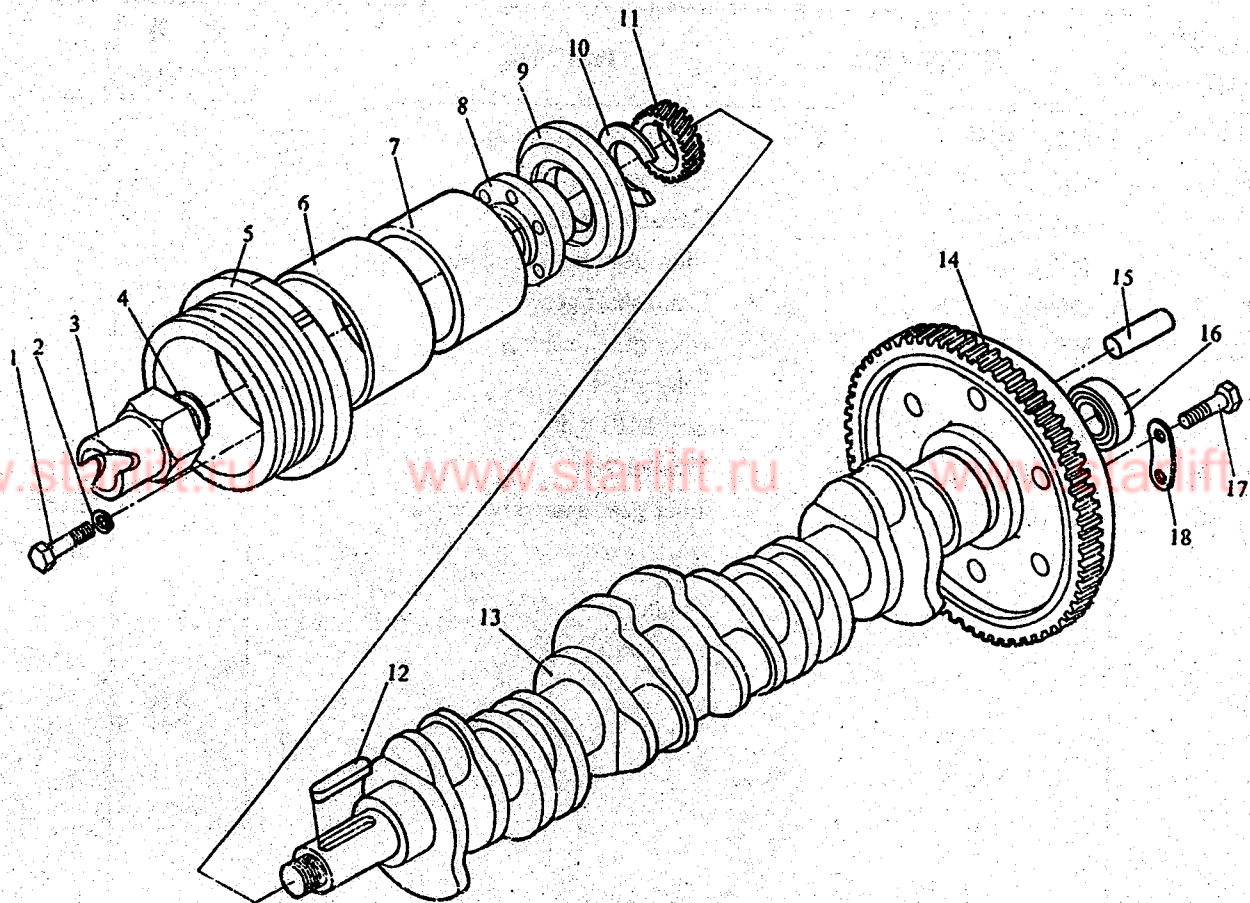


5—1. 曲轴飞轮结合组(一)

CRANKSHAFT AND FLYWHEEL ASSEMBLY(1)



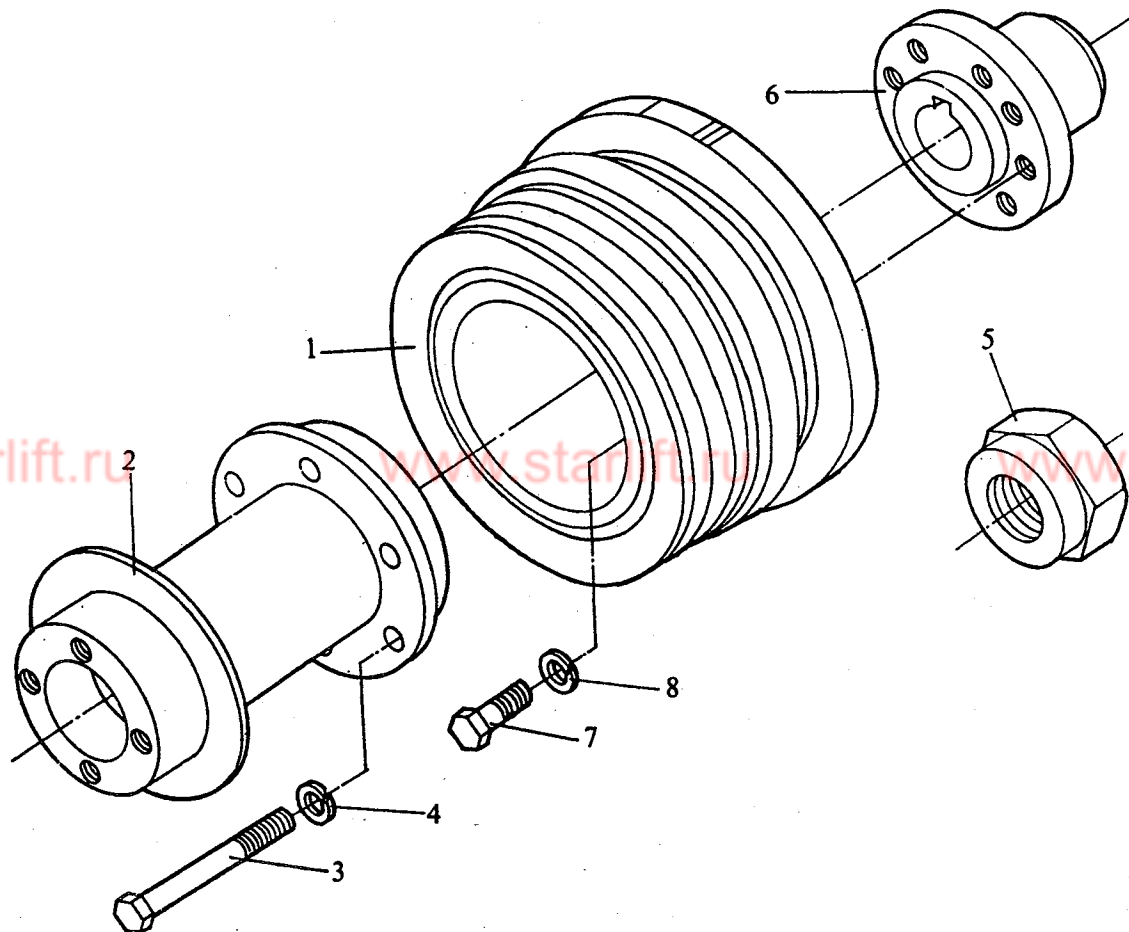
## 5—1. 曲轴飞轮结合组(一)

## CRANKSHAFT AND FLYWHEEL ASSEMBLY(1)

| 序号<br>No. | 零部件号<br>Part Number | 零部件名称<br>Part Name | 数量<br>Quantity | 备注<br>Remark   |
|-----------|---------------------|--------------------|----------------|--|
| 1         | GB21-76             | 螺栓 M10×20          | 6              |  |
| 2         | GB859-76            | (弹簧)垫圈 10          | 6              |  |
| 3         | 6102 03 01-1        | 起动爪                | 1              |  |
| 4         | 6102 03 02-1        | 垫片                 | 1              |  |
| 5         | 6102 03 18          | 减振器外圈              | 1              |  |
| 6         |                     | 橡胶                 | 1              |  |
| 7         | 6102A 03 19         | 减振器内圈              | 1              | 序 5、6、7 一体供应<br>No. 5、6 and 7 are sold<br>as a whole |
| 8         | 6102 03 21          | 连接法兰               | 1              |  |
| 9         | 6102 03 03          | 挡油盘                | 1              |  |
| 10        | 6102 03 04          | 甩油盘                | 1              |  |
| 11        | 6102 03 05          | 曲轴齿轮               | 1              |  |
| 12        | GB1096-76           | 键 B10×60           | 1              |  |
| 13        | 6102B 03 06A        | 曲轴                 | 1              |  |
| 14        | 6102A 03 20         | 飞轮结合部              | 1              |  |
| 15        | GB119-86            | 销 A12×30           | 1              |  |
| 16        | GB278-82            | 轴承 60205           | 1              |  |
| 17        | 6102 03 07          | 飞轮螺栓               | 6              |  |
| 18        | 6102 03 15          | 锁片                 | 3              |  |

5—2. 曲轴飞轮结合组(二)

CRANKSHAFT AND FLYWHEEL ASSEMBLY(2)





## 5—2. 曲轴飞轮结合组(二)

## CRANKSHAFT AND FLYWHEEL ASSEMBLY(2)

| 序号<br>No. | 零部件号<br>Part Number | 零部件名称       | Part Name                        | 数量<br>Quantity | 备注<br>Remark                                 |
|-----------|---------------------|-------------|----------------------------------|----------------|--|
| 1         | 6102B 03 10         | 减振器结合部      | Damper assembly                  | 1              | BQ28b、BQ25d、BQ26b 用<br>For BQ28b、BQ25d、BQ26b |
|           | 6102B 03 18         | 减振器外圈<br>橡胶 | Damper outer drum<br>Rubber drum | 1              | 一体供应, 属序 1                                   |
|           | 6102B 03 19         | 减振器内圈       | Damper inner drum                | 1              | Sell together with damper<br>belong to No. 1 |
| 2         | 6102B 03 22         | 风扇连接轴       | Fan connecting shaft             | 1              | BQ26b 用 For BQ26b                            |
| 3         | GB5782-86           | 螺栓 M10×115  | Bolt M10×115                     | 6              | BQ26b 用 For BQ26b                            |
| 4         | GB93-76             | (弹簧)垫圈 10   | Spring washer 10                 | 6              | BQ26b 用 For BQ26b                            |
| 5         | 6102 03 26          | 曲轴螺母        | Crankshaft nut                   | 1              | BQ26b 用 For BQ26b                            |
| 6         | 6102B 03 21         | 连接法兰        | Adapter flange                   | 1              |  |
| 7         | GB5783-86           | 螺栓 M10×20   | Bolt M10×20                      | 6 或 2          | 序 6、7、8 属序 1                                 |
|           |                     |             |                                  | 6 或 2          | No. 6、7、8 Belong to No. 1                    |
| 8         | GB93-76             | (弹簧)垫圈 10   | Spring washer 10                 | 6 或 2          |  |
|           |                     |             |                                  | 6 或 2          |  |